

EN	Operating instructions, models PEU-20 and PEU-21	Page	3 - 42
DE	Betriebsanleitung Typen PEU-20 und PEU-21	Seite	43 - 82
FR	Mode d'emploi, types PEU-20 et PEU-21	Page	83 - 122
ES	Manual de instrucciones, modelos PEU-20 y PEU-21	Página	123 - 162

© 03/2023 WIKA Alexander Wiegand SE & Co. KG
 All rights reserved.
 WIKA® is a registered trademark in various countries.

Prior to starting any work, read the operating instructions.
 Keep for later use.

Contents

1. General information	5
1.1 Abbreviations, definitions	6
1.2 Explanation of symbols	6
2. Safety	7
2.1 Intended use	7
2.2 Improper use	8
2.3 Personnel qualification	8
2.4 Labelling, safety markings	9
2.5 Ex marking	10
2.6 Special conditions of use (X-conditions)	11
2.7 Note on intrinsic safety	11
2.8 Compliance with EHEDG conformity	12
2.9 Safety description for power supply	12
3. Transport, packaging and storage	13
3.1 Transport.	13
3.2 Packaging and storage	13
4. Design and function	15
4.1 Overview.	15
4.2 Description	15
4.3 Scope of delivery	16
4.4 Product passport	16
5. Commissioning and operation	17
5.1 Measuring location requirements	18
5.2 Mechanical mounting	18
5.3 Electrical connection, digital output	19
5.4 Radio unit	19
6. Faults	20
7. Maintenance, cleaning and calibration	22
7.1 Maintenance	22
7.2 Cleaning	22
7.3 Calibration	23
8. Dismounting, return and disposal	24
8.1 Dismounting	24
8.2 Return.	25
8.3 Disposal	25

EN

14602071.03 08/2025 EN/DE/FR/ES

9. Specifications	26
9.1 Specifications	26
9.2 Approvals	33
9.3 Dimensions in mm [in]	35
10. Accessories and spare parts	42
Annex: EU- and EU declaration of conformity	163
Annex: Control drawing type PEU-2*	164

→ Declarations of conformity see www.wika.com

1. General information

Supplementary documentation:

- ▶ Please follow all the documentation included in the scope of delivery.



Before commissioning the instrument, the operating instructions for the model NETRIS®3 radio unit, item number 14521664, must also be observed.

EN

1. General information

- The instrument described in the operating instructions has been designed and manufactured using state-of-the-art technology. All components are subject to stringent quality and environmental criteria during production. Our management systems are certified in accordance with ISO 9001 and ISO 14001.
- These operating instructions contain important information on handling the instrument. Working safely requires that all safety notes and work instructions are observed.
- Observe the relevant local accident prevention regulations and general safety regulations for the instrument's range of use.
- The operating instructions are part of the product and must be kept in the immediate vicinity of the instrument and readily accessible to skilled personnel at any time. Pass the operating instructions on to the next operator or owner of the instrument.
- Skilled personnel must have carefully read and understood the operating instructions prior to beginning any work.
- In case of a different interpretation of the translated and the English operating instructions, the English wording shall prevail.
- In this document, the generic masculine is used for better readability. Female and other gender identities are explicitly included.
- If available, the provided supplier documentation is also considered to be part of the product in addition to these operating instructions.
- The general terms and conditions contained in the sales documentation shall apply.
- Subject to technical modifications.
- Factory calibrations / DAkkS calibrations are carried out in accordance with international standards.
- Further information:
 - Internet address: www.wika.de / www.wika.com
 - Relevant data sheet: PE 87.24
 - Special documentation: „Special documentation“ for LoRaWAN® communication protocol, models PEU-20 and PEU-21
 - Technical information: IN 00.14 Tapped holes for process connections
IN 00.50 Electrical mounting
 - Contact: Tel.: +49 9372 132-0
info@wika.de

1. General information

1.1 Abbreviations, definitions

- Bullet
- ▶ Instruction
- 1. ... x. Follow the instruction step by step
- See ... cross-references
- UWI Unified WIKA Interface

1.2 Explanation of symbols



WARNING!

... indicates a potentially dangerous situation that can result in serious injury or death, if not avoided.



CAUTION!

... indicates a potentially dangerous situation that can result in light injuries or damage to property or the environment, if not avoided.



DANGER!

... indicates a potentially dangerous situation in hazardous areas that can result in serious injury or death, if not avoided.



WARNING!

... indicates a potentially dangerous situation that can result in burns, caused by hot surfaces or liquids, if not avoided.



Information

... points out useful tips, recommendations and information for efficient and trouble-free operation.

2. Safety

2.1 Intended use

The model PEU-2x is a pressure transmitter that is used to measure a pressure value; it is approved solely for use with the model NETRIS®3 radio unit. Any other usage is not possible.

PEU-2x is suitable for pressure measurement of liquids and gases in all applications that are in accordance with the technical specifications. Use with very hot, very cold or aggressive media requires assembly of diaphragm seals and cooling elements. A typical application is the monitoring of fuel levels at remote locations with wireless transmission of the measured values to a cloud.

The models PEU-20 and PEU-21 are suitable for use in hazardous areas.

Disassembly of the instrument into its components is not permissible. Do not use the pressure transmitter if it is damaged.

Before use, check for visible defects.

If the equipment is used in a manner not specified by the manufacturer, the protection provided by the equipment may be impaired.

Measuring the instrument temperature increases the accuracy of the pressure measurement (temperature compensation) and cannot be used to determine the process temperature.

The instrument has been designed and engineered solely for the intended use described here, and may only be used accordingly.

The technical specifications of these operating instructions, see 9 "Specifications", and the operating instructions for the NETRIS®3 radio unit must be observed. It is assumed that the instrument is handled properly and within its technical specifications. Otherwise, the instrument must be taken out of service immediately and inspected by authorised WIKA service personnel.

Assembly

For the application limits of the assembly, compliance with the specifications of the radio unit and the specifications of the model PEU-2x is required. The permissible ambient temperature range of the assembly is determined by the instrument with the lowest temperature range.

Handle electronic precision measuring instruments with the required care (protect from moisture, impacts, strong magnetic fields, static electricity and extreme temperatures, do not insert any objects into the instrument or its openings). Male and female connectors must be protected from contamination.



The remote monitoring of the process pressure via wireless transmission is only suitable for non-critical and non-safety-relevant applications. The remote monitoring function must not be used for control purposes, as it cannot be guaranteed that data packets won't be lost during wireless transmission.

Classification per European Pressure Equipment Directive

- Instrument type: pressure accessory without safety function
- Media: liquid or gaseous, group 1 (hazardous)
- For maximum allowable pressure PS, see chapter 1.1 "Abbreviations, definitions"
- Volume of wetted parts: < 1 l

The end user of the instrument must evaluate whether a Canadian Registration Number (CRN) is required for their specific application in Canada.

The restrictions and limitations associated with the CRN must be taken into account.

The manufacturer shall not be liable for claims of any type based on operation contrary to the intended use.

2.2 Improper use

- Any use beyond or different to the intended use is considered as improper use.
- Refrain from unauthorised modifications to the instrument.
- Do not use in safety or emergency shutdown devices.
- Do not use with abrasive and viscous media.



External impacts can generate sparks through friction processes between different materials.

Explosive atmosphere consisting of hybrid mixtures

The instruments must not be used in areas in which an atmosphere consisting of explosive hybrid mixtures (dusts mixed with gases) can occur.

Handling of materials

Avoid exposing the instrument to any substances or ambient conditions that could negatively affect the instrument and the materials used. Avoid handling substances that are liable to spontaneous combustion. For a list of the materials used, see chapter 9 "Specifications".

2.3 Personnel qualification



The activities described in these operating instructions may only be carried out by skilled personnel who have the qualifications described below.

Skilled personnel

Skilled personnel, authorised by the operator, are understood to be personnel who, based on their technical training, knowledge of measurement and control technology and on their experience and knowledge of country-specific regulations, current standards and directives, are capable of carrying out the work described and independently recognising potential hazards.

Special knowledge for working with instruments for hazardous areas:

The skilled personnel must have knowledge of ignition protection types, regulations and provisions for equipment in hazardous areas.

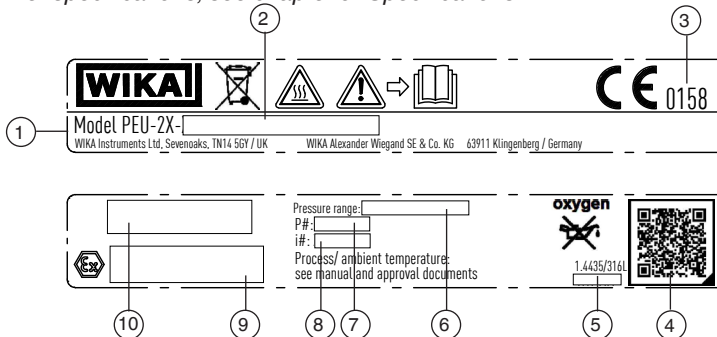
Special operating conditions require further appropriate knowledge, e.g. of aggressive media.

2.4 Labelling, safety markings

The labelling, safety markings must be maintained in a legible condition.

Product label (example)

For further specifications, see chapter 9 "Specifications".



- ① Model designation
- ② Order code
- ③ Conformity marking + identification number of the notified or approved body
- ④ QR code to identification link
- ⑤ Date of manufacture (YYYY-MM)
- ⑥ Max. allowable pressure in bar at room temperature
- ⑦ Item number
- ⑧ Intelligent serial number
- ⑨ Ex marking
- ⑩ Further approvals

2. Safety

Symbols



Before mounting and commissioning the instrument, ensure you read the operating instructions.



Do not dispose of with household waste. Ensure proper disposal in accordance with national regulations.



Identification link per IEC 61406-1 for product passport
→ For further information, see chapter 4.4 "Product passport".

oxygen



Special version
The instrument is oil- and grease-free and suitable for oxygen applications.



Warning of hot surface

2.5 Ex marking



DANGER!

Danger to life due to explosion

Non-observance of these instructions and their contents may result in the loss of explosion protection.

- ▶ Install and commission the instrument in accordance with the manufacturer's specifications.
- ▶ Observe the safety notes in this chapter and further explosion protection instructions in these operating instructions.
- ▶ Observe the information given in the applicable type examination certificate and the relevant country-specific regulations for installation and use in hazardous areas (e.g. IEC 60079-14, NEC, CEC).

Check whether the classification is suitable for the application. Observe the relevant national regulations.

2. Safety

ATEX

II 1G Ex ia IIC T4 ... T1 Ga
II 1/2G Ex ia IIC T4 ... T1 Ga/Gb
II 2G Ex ia IIC T4 ... T1 Gb
II 1D Ex ia IIC T135°C Da
II 1/2D Ex ia IIC T135 °C Da/Db
II 2D Ex ia IIC T135°C Db

IECEX

Ex ia IIC T4 ... T1 Ga
Ex ia IIC T4 ... T1 Ga/Gb
Ex ia IIC T4 ... T1 Gb
Ex ia IIC T135°C Da
Ex ia IIC T135 °C Da/Db
Ex ia IIC T4 ... T1 Gb

EN

2.6 Special conditions of use (X-conditions)

- The ambient temperature range depends on the temperature class.
- The partition wall (diaphragm) separating from the wetted area has a wall thickness < 0.2 mm [0.008 in] for functional reasons. In the application it has to be ensured, that an impairment of the partition wall, e.g. by aggressive media or mechanical hazards is excluded.
- In gas Ex areas, install the instrument in such a way that electrostatic charges and discharge processes can be excluded.
- In dust Ex areas with conductive dusts of group IIIC, the intrinsically safe circuit is not safely separated from ground / potentially grounded metal parts. Along the intrinsically safe circuit, there must be equipotential bonding.

2.7 Note on intrinsic safety



DANGER!

Danger to life due to loss of explosion protection

In addition, observe the Ex marking of the connected radio unit.

- ▶ Only use the certified radio unit.

Separate proof of intrinsic safety is not required if the instrument is connected to the radio unit. The radio unit has an intrinsically safe interface that ensures the secure transmission of measured data.

Only the NETRIS®3 certified radio unit is approved for connection to the model PEU-2x pressure transmitter. No other radio unit may be used for an assembly.

- For a detailed description of the battery-operated, certified instrument, see the operating instructions for the model NETRIS®3, item number 14521664.

2. Safety

2.8 Compliance with EHEDG conformity

For an EHEDG-compliant connection, seals in accordance with the current EHEDG policy document must be used. Seals for connections per DIN 32676 and BS 4825 part 3 are, e.g., manufactured by Combifit International B.V.

The two possible case designs fulfil the criteria of the EHEDG approvals and are approved for the hygienic industry in accordance with the appropriate standard. Compliance with conformity is only given for certified versions that are marked with the EHEDG logo in the data sheet. EHEDG-compliant pressure transmitters with flush process connection are marked as model PEU-21 on the product label.

→ For further information, see data sheet PE 87.24.

2.9 Safety description for power supply

The M12 connector to the radio unit may only be plugged in and pulled out in a voltage-free state.

Ingress protection per EN 60529 (declared by manufacturer)	IP66/67
Humidity	50 .. 70 % relative humidity (non-condensing)
Degree of pollution	4
Overvoltage category	I
Altitude for operation	2.000 m [6.562 ft] über N. N.

3. Transport, packaging and storage

3. Transport, packaging and storage

3.1 Transport



CAUTION!

Damage due to improper transport

With improper transport, damage to property can occur.

- ▶ When unloading packed goods upon delivery as well as during internal transport, proceed carefully and observe the symbols on the packaging.
- ▶ With internal transport, observe the instructions in 3.2 "Packaging and storage".
- ▶ Once the instrument has been assembled, do not carry it by the radio unit.

Check the instrument for any damage that may have been caused.

In the event of any damage, do not commission the instrument and contact the manufacturer immediately.

If the instrument is transported from a cold into a warm environment, the formation of condensation may result in instrument malfunction. Prior to recommissioning, wait for the instrument temperature and the room temperature to equalise.

3.2 Packaging and storage

Do not remove packaging and other protective elements (e.g. protective cap) until just before mounting.

Keep the packaging as it will provide optimum protection during transport (e.g. change in place of use, sending for repair).

Permissible conditions at the place of storage:

- Storage temperature: -40 ... +80 °C [-40 ... +176 °F]
- Humidity: 45 ... 75 % relative humidity (non-condensing)

Avoid exposure to the following factors:

- Direct sunlight or proximity to hot objects
- Mechanical vibration, mechanical shock (putting it down hard)
- Soot, vapour and corrosive gases

3. Transport, packaging and storage

Store the instrument in its original packaging in a location that fulfils the previously listed conditions. Instruments that have already been commissioned must be cleaned before storage, see 7.2 "Cleaning".

If the original packaging is not available, pack and store the instrument as described below:

1. Wrap the instrument in an anti-static plastic film. (for instruments with electrical components)
2. Place the instrument in the packaging and evenly pad with shock-absorbent material.
3. If stored for a prolonged period of time (more than 30 days), place a bag containing a desiccant inside the packaging.



Interim storage after assembly

In order to protect the battery when storing an already activated radio unit for a longer period of time, the radio unit can be deactivated again.

4. Design and function

4.1 Overview



- ① Plug connection for NETRIS[®]3 M12 x 1 connector
- ② Sealing ring
- ③ Case; product label
- ④ Process connection, spanner flats
- ⑤ Process connection, thread

4.2 Description

Through its modular structure, the model PEU-2x pressure transmitter is designed for operation with the model NETRIS[®]3 radio unit. The prevailing pressure is measured at the sensor element through the deformation of a diaphragm. By feeding the battery-operated voltage supply through the model NETRIS[®]3 radio unit, this deformation of the diaphragm is converted into an electrical signal. The signal output by the pressure transmitter is transmitted to the NETRIS[®]3 radio unit via Unified WIKA Interface (UWI).

The radio unit ensures the intrinsically safe voltage supply for the PEU-2x pressure transmitter and ensures the transmission of the measured data based on LPWAN technology (“Low Power Wide Area Network”). The measurement and transmission intervals, and also the alarm limits, for particular measured values can be configured over the IIoT platform.

→ For details on the alarm configuration, see “Special documentation for LoRaWAN[®] communication specification”, model PEU-2x.

4. Design and function

4.3 Scope of delivery

- Instrument
- Operating instructions
- Thread protective cap
- Protective cap for plug connection

Cross-check scope of delivery with delivery note.

4.4 Product passport

There are three ways to access the instrument-specific product passport.

- Via the QR code on the product label
- Via the instrument's product details page
- Via the link, here in the operating instructions

The product passport can be retrieved from the product page or directly from the corresponding web application.



<https://productpass.wika.com/>

The following is provided:

- The most important product information such as measuring range, accuracy, process connection, date of manufacture, etc.
- Calibration certificates, certificates and test reports/records
- Documentation, such as the data sheet and the operating instructions

From this view, the required information can be printed out directly or also sent by e-mail.

A direct link to the online shop makes it easier to order additional accessories that match the instrument.

5. Commissioning and operation

5. Commissioning and operation

Personnel: skilled personnel

Tools: spanner



DANGER!

Danger to life due to explosion

Through working in flammable atmospheres, there is a risk of explosion which can cause death.

- ▶ Only carry out setup work in non-hazardous environments.



WARNING!

Physical injuries and damage to property and the environment due to hazardous media

Upon contact with hazardous media (e.g. oxygen, acetylene, flammable or toxic substances) and harmful media (e.g. corrosive, toxic, carcinogenic, radioactive), there is a danger of physical injuries and damage to property and the environment.

Should a failure occur, hazardous media under high pressure or vacuum may be present at the instrument.

- ▶ For these media, in addition to all standard regulations, the appropriate existing codes or regulations must also be followed.



The materials used cannot withstand temperatures in the event of an external fire. For special fire protection requirements, appropriate measures must be taken by the operator.

After exposure to wind or earthquakes, the instrument must be checked for damage (e.g. cracks, damage to weld seams, liquid escape). The function must be ensured by a functional test.

Only use original parts, see 9 "Specifications".

Check the instrument for any damage that may have been caused.

In the event of any damage, do not commission the instrument and contact the manufacturer immediately.

5. Commissioning and operation

5.1 Measuring location requirements

The measuring location must meet the following conditions:

- The sealing faces at the instrument and the measuring location always have to be clean.
- Remove any protective cap and/or Mylar or protective foil not until shortly before installation.
- Permissible ambient temperatures remain within the performance limits of the measuring instrument. Consider possible restrictions on the ambient temperature range caused by mating connectors used.

5.2 Mechanical mounting



DANGER!

Danger to life due to damaged diaphragm

Any damage to the diaphragm at the flush process connection will render explosion protection null and void. Explosions may occur.

- ▶ Prior to commissioning, subject the instrument to a visual inspection. Leaking liquid is indicative of damage.
- ▶ Protect the diaphragm from impacts and contact with abrasive media.



CAUTION!

Damage to the instrument

In order to prevent any damage to the instrument, observe the following:

- ▶ The instrument must not be subjected to any mechanical loading (e.g. use as a climbing aid, support for objects).
- ▶ Make sure the threaded connections and sealing faces are clean and undamaged.
- ▶ Use suitable seals and spanners.
- ▶ Install the instrument in such a way that process-related electrostatic charges (e.g. caused by flowing media) can be excluded.
- ▶ The connector pins must not come into contact with any moisture.



The tightening torque is dependent on the process connection, the material and the seal.

Before installation, commissioning and operation, ensure the following:

1. Prior to commissioning, subject the instrument to a visual inspection. Leaking liquid is indicative of damage.
2. Select the appropriate instrument in terms of measuring range, design, explosion protection and specific measuring conditions.
3. Depressurise the container, pipeline or system.
4. Seal the sealing face and check for leak tightness.
5. At the measuring location, screw the instrument in hand-tight. Make sure not to cross

5. Commissioning and operation

the threads.

6. Only ever screw in, or unscrew, the instrument via the spanner flats. Never use the case as a working surface.
- For information on tapped holes and welding sockets, see technical information IN 00.14 at www.wika.com.

Mounting instructions for instruments with flush process connection, in conjunction with EHEDG

Observe the following instructions, especially for EHEDG-certified instruments.

- Make sure that the conditions described in chapter 2.8 "Compliance with EHEDG conformity" are fulfilled for instruments with EHEDG.
- Mount the instrument with minimal dead space and able to be cleaned easily.
- The mounting position must not form a draining point or cause a basin to be formed.

5.3 Electrical connection, digital output

The instrument must be connected to the equipotential bonding of the plant.

The digital connection of the instrument is made via WIKA's own UWI interface (Unified WIKA Interface) and ensures data transmission between the measuring instrument and the model NETRIS®3 radio unit.

This interface serves as an intrinsically safe data transmission between suitable WIKA radio units and measuring instruments which use the UWI interface.

The device shall only be powered by a certified power supply providing double or reinforced insulation with output not exceeding the limits of CSA/UL/EN/IEC 61010-1:2010 chapter 6.3.1/6.3.2 and 9.4 or class 2 according to CSA 223/UL 1310.

The electrical connection is made via an M12 x 1 circular connector (4-pin).

- For details on the safety-related characteristic values (Ex), see 9 "Specifications"

5.4 Radio unit

All information required to activate the radio unit or connect the instrument to the IIoT infrastructure is contained in the operating instructions for the radio unit.

- For details, see operating instructions of the model NETRIS®3 radio unit.

6. Faults

6. Faults

Personnel: skilled personnel

EN



DANGER!

Danger to life due to explosion

Through working in flammable atmospheres, there is a risk of explosion which can cause death.

- ▶ Only carry out troubleshooting work in non-hazardous environments.



WARNING!

Physical injuries and damage to property and the environment due to hazardous media

Upon contact with hazardous media (e.g. oxygen, acetylene, flammable or toxic substances) and harmful media (e.g. corrosive, toxic, carcinogenic, radioactive), there is a danger of physical injuries and damage to property and the environment.

Should a failure occur, hazardous media under high pressure or vacuum may be present at the instrument.

- ▶ For these media, in addition to all standard regulations, the appropriate existing codes or regulations must also be followed.



If faults cannot be eliminated by means of the listed measures, take the instrument out of operation immediately.

- ▶ Contact the manufacturer.
- ▶ If a return is needed, please follow the instructions given in chapter 8.2 "Return".



For contact details see chapter 1 "General information" or the back page of the operating instructions.

In the event of any faults, first check whether the instrument is mounted correctly, mechanically and electrically.

Faults	Causes	Measures
Constant output signal upon change in pressure	Mechanical overload caused by overpressure	Replace instrument; if it fails repeatedly, contact the manufacturer
No output signal	Cable break	Check the connection cables for continuity

6. Faults

Faults	Causes	Measures
Deviating zero point signal	Overload safety exceeded	Reset the zero point and observe the overload safety
	Damage at the process connection	Replace instrument
Signal span drops	Damage at the process connection	Replace instrument; if it fails repeatedly, contact the manufacturer
	Seal is damaged or soiled	If soiled, clean the seal and the measuring location. If damaged, replace the seal.
	Seal does not have a tight fit	Remove the instrument and seal correctly
	Threads jammed	Mount the instrument correctly
	Mechanical loading of the instrument through bending pipelines that cannot be considered by the manufacturer.	Exclude reaction forces through the pipelines upstream and downstream of the instrument
Signal span too small	Mechanical overload caused by overpressure	Readjust the instrument
Signal span varies	Strongly fluctuating pressure of the medium	Damping; consulting by the manufacturer

- For details on the radio unit, see operating instructions of the model NETRIS®3 radio unit.
- For the replacement of the instrument, observe chapters 1 "General information" and 5 "Commissioning and operation".

7. Maintenance, cleaning and calibration

7. Maintenance, cleaning and calibration

Personnel: skilled personnel

EN



For contact details see chapter 1 "General information" or the back page of the operating instructions.

7.1 Maintenance

The instrument is maintenance-free.

Repairs must only be carried out by the manufacturer.
Only use original parts, see chapter 9 "Specifications".

7.2 Cleaning



CAUTION!

Physical injuries and damage to property and the environment

Residual media can result in a risk to persons, the environment and equipment.

- ▶ Carry out the cleaning process in accordance with the manufacturer's instructions.



CAUTION!

Damage to property due to improper cleaning

Improper cleaning may lead to damage to the instrument.

- ▶ Do not use any aggressive cleaning agents.
- ▶ Do not use any hard or pointed objects for cleaning.
- ▶ Do not use any abrasive cloths or sponges.

1. Before cleaning, correctly disconnect the instrument from the pressure supply, switch it off and disconnect it from the mains.
2. Clean the instrument with a moist cloth.
Do not expose the electrical connections to moisture.
3. Flush or clean the dismantled instrument, in order to protect persons and the environment from exposure to residual media.



A 100 % residue-free cleaning is not possible, on account of the design.

Refrain from cleaning processes that can lead to electrostatic charge and do not touch exposed connector pins.

7. Maintenance, cleaning and calibration

EN

Cleaning in place (CIP) cleaning process

- When cleaning from outside ("wash down"), observe the permissible temperature and ingress protection.
- Only use cleaning agents which are suitable for the seals used.
- Cleaning agents must not be abrasive nor corrosively attack the materials of the wetted parts.
- Avoid thermal shocks or fast changes in the temperature. The temperature difference between the cleaning agent and rinsing with clear water should be as low as possible. Negative example: Cleaning at 80 °C [176 °F] and rinsing at 4 °C [39 °F] with cold water.

7.3 Calibration

It is recommended having the instrument regularly calibrated by the manufacturer, with time intervals of approx. 12 months.

The calibration of the digitally transmitted values is only possible in conjunction with the model NETRIS®3 radio unit.

→ For details, see operating instructions of the model NETRIS®3 radio unit.

8. Dismounting, return and disposal

8. Dismounting, return and disposal

Personnel: skilled personnel

Tools: spanner

EN



WARNING!
Physical injury

When dismantling, there is a danger from hazardous media and high pressures.

- ▶ Observe the information in the material safety data sheet for the corresponding medium.
- ▶ Disconnect the instrument once the system has been depressurised and has cooled down.
- ▶ Flush or clean the dismantled instrument (following operation), in order to protect persons and the environment from exposure to residual media.



WARNING!
Risk of burns

During dismantling there is a risk of dangerously hot media escaping.

- ▶ Let the instrument cool down to room temperature before dismantling it.



WARNING!
Physical injuries and damage to property and the environment due to hazardous media

Upon contact with hazardous media (e.g. oxygen, acetylene, flammable or toxic substances) and harmful media (e.g. corrosive, toxic, carcinogenic, radioactive), there is a danger of physical injuries and damage to property and the environment.

Should a failure occur, hazardous media under high pressure or vacuum may be present at the instrument.

- ▶ For these media, in addition to all standard regulations, the appropriate existing codes or regulations must also be followed.

8.1 Dismounting

1. Loosen the instrument with a spanner, using the spanner flats.
2. Screw out the instrument by hand.
3. Remove the radio unit from the instrument, see operating instructions of the model NETRIS®3 radio unit.
4. Clean the instrument as required, see chapter 7.2 "Cleaning".



The tightening torque is dependent on the process connection, the material and the seal.

8. Dismounting, return and disposal



If the plug connection is disconnected, do not allow the electrical connection to come into contact with moisture. Protect the electrical connection from electrostatic discharge. If an activated radio unit is disconnected from the instrument, an error message is transmitted. The radio unit should be deactivated beforehand.

8.2 Return

Strictly observe the following when shipping the instrument:

- All instruments delivered to WIKA must be free from any kind of hazardous substances (acids, bases, solutions, etc.) and must therefore be cleaned before being returned, see chapter 7.2 "Cleaning".
- When returning the instrument, use the original packaging or a suitable transport packaging.



With hazardous substances, include the material safety data sheet for the corresponding medium.

To avoid damage:

1. Wrap the instrument in an anti-static plastic film.
2. Place the instrument in the packaging and evenly pad with shock-absorbent material.
3. If possible, place a bag, containing a desiccant, inside the packaging.
4. Label the shipment as transport of a highly sensitive measuring instrument.



Information on returns can be found under the heading "Service" on our local website (product return form).

When returning the instrument with the radio unit connected, also observe the instructions in the operating instructions for the model NETRIS[®]3 radio unit.

8.3 Disposal

Incorrect disposal can put the environment at risk.

Dispose of instrument components and packaging materials in an environmentally compatible way and in accordance with the country-specific waste disposal regulations.



This instrument is labelled in accordance with the EU Waste Electrical and Electronic Equipment (WEEE) directive. This instrument must not be disposed of with household waste.

- Ensure proper disposal in accordance with national regulations and observe the currently applicable regulations.

9. Specifications

9. Specifications

9.1 Specifications

EN

Accuracy specifications

Accuracy	<ul style="list-style-type: none">■ 0.5 % of span■ 0.25 % of span ($\leq 1,000$ bar [15,000 psi])■ 0.1 % of span ($\leq 1,000$ bar [15,000 psi]) <p>→ 0.1 % of span at < 1.6 bar [23 psi], relative and bar abs. not possible</p>
-----------------	---

Zero point setting	-20 ... +95 % (limited by 0 bar absolute)
---------------------------	---

Non-repeatability per IEC 62828-2

Measuring ranges $\leq 1,000$ bar [15,000 psi]	≤ 0.1 % of span
--	----------------------

Measuring ranges $> 1,000$ bar [15,000 psi]	≤ 0.5 % of span
---	----------------------

Total probable error per IEC 62828-2	Rated temperature range per DIN 16086: -40 ... +80 °C [-104 ... +176 °F]
	Ambient temperature range whose specification limits must not be exceeded.

Long-term stability per IEC 62828-1

Measuring ranges < 1 bar [15 psi]	Max. 0.35 % of span/year
-------------------------------------	--------------------------

Measuring ranges ≥ 1 ... < 1.6 bar [≥ 15 ... < 20 psi]	Max. 0.15 % of span/year
---	--------------------------

Measuring ranges ≥ 1.6 ... ≤ 40 bar [≥ 20 ... ≤ 500 psi]	Max. 0.10 % of span/year
---	--------------------------

Measuring ranges > 40 bar [> 500 psi]	Max. 0.05 % of span/year
--	--------------------------

Reference conditions	Per IEC 62828-1
-----------------------------	-----------------

14602071.03 08/2025 EN/DE/FR/ES

9. Specifications

Measuring ranges, gauge pressure¹⁾

bar	
0 ... 1	0 ... 60
0 ... 1.6	0 ... 100
0 ... 2.5	0 ... 160
0 ... 4	0 ... 250
0 ... 6	0 ... 400
0 ... 10	0 ... 600
0 ... 16	0 ... 1000
0 ... 25	0 ... 1600
0 ... 40	-
psi	
0 ... 15	0 ... 5,000
0 ... 30	0 ... 10,000
0 ... 100	0 ... 15,000
0 ... 500	0 ... 20,000
0 ... 1,500	-

1) For measuring ranges > 600 bar [10,000 psi] only the model PEU-20 is available

Measuring ranges, absolute pressure

bar abs.	
0 ... 1	0 ... 10
0 ... 1.6	0 ... 16
0 ... 2.5	0 ... 25
0 ... 4	0 ... 40
0 ... 6	-
psi abs.	
0 ... 15	0 ... 150
0 ... 20	0 ... 200
0 ... 30	0 ... 300
0 ... 50	0 ... 500
0 ... 100	-
psi	
-14.5 ... +0	-14.5 ... +300
-14.5 ... +15	-

EN

Vacuum and compound measuring ranges

bar	
-0.2 ... +0.2	-1 ... +5
-1 ... 0	-1 ... +10
-1 ... +0.6	-1 ... +15
-1 ... +1.5	-1 ... +25
-1 ... +3	-1 ... +40

Other measuring ranges on request.

Further details on: measuring range

Units	<ul style="list-style-type: none"> ■ bar ■ psi ■ bar abs. ■ psi abs.
Maximum working pressure	→ Corresponds to the upper measuring range value / measuring range full scale value

14602071.03 08/2025 EN/DE/FR/ES

9. Specifications

Further details on: measuring range

Overpressure limit	<p>The overpressure limit is based on the measuring range. Depending on the selected process connection and the seal, restrictions in overpressure limit can result. Use of the instrument in the range between the upper measuring range value / measuring range full scale value and the overpressure limit is not considered normal operation and is only permissible for a short time.</p> <p>→ The CSA certification to C22.2 No 61010-1 / UL 61010-1 only evaluates the rated pressure marked on the device in accordance with the certification listing. The defined overpressure limit for short time use is excluded from the scope of certification.</p>
Measuring ranges ≤ 40 bar [500 psi]	3 times
Measuring ranges 40 ... 1,000 bar [500 ... 15,000 psi]	2 times
Measuring range 1,600 bar [20,000 psi]	1.5 times
Vacuum resistance	Yes (not for oxygen applications)

Process connection

Per standard	Thread size	Possible measuring ranges
Model PEU-20		
EN 837	G 3/8 B	≤ 0 ... 1,000 bar [0 ... 15,000 psi]
	G 1/2 B	≤ 0 ... 1,000 bar [0 ... 15,000 psi]
	M20 x 1.5	≤ 0 ... 1,000 bar [0 ... 15,000 psi]
ANSI / ASME B1.20.1	1/2 NPT	≤ 0 ... 1,000 bar [0 ... 15,000 psi]
	1/2 NPT, 1/4 NPT female thread	≤ 0 ... 1,000 bar [0 ... 15,000 psi]
	1/4 NPT	≤ 0 ... 1,000 bar [0 ... 15,000 psi]
-	M16 x 1.5, female thread with sealing cone	≥ 0 ... 100 bar [0 ... 1,500 psi]
	M20 x 1.5, female thread with sealing cone	≥ 0 ... 1,600 bar [0 ... 20,000 psi]
	9/16-18 UNF, female thread F 250-C	≥ 0 ... 100 bar [0 ... 1,500 psi]

14602071.03 08/2025 EN/DE/FR/ES

9. Specifications

EN

Process connection		
Per standard	Thread size	Possible measuring ranges
Model PEU-21		
-	G ½ B	0 ... 6 to 0 ... 600 bar [0 ... 100 to 0 ... 5,000 psi]
	G 1 B	≤ 0 ... 1.6 bar [0 ... 30 psi]
	G 1 ½ B	≤ 0 ... 1.6 bar [0 ... 30 psi]
	G 1 hygienic ^{1) 2)}	≤ 0 ... 16 bar [0 ... 100 psi]
	G 1 hygienic with cooling element ²⁾	≤ 0 ... 16 bar [0 ... 100 psi]
TRI-CLAMP®	DN 1½ with cooling element for 150 °C [302 °F]	≤ 0 ... 40 bar [0 ... 500 psi]
	DN 2 with cooling element for 150 °C [302 °F]	≤ 0 ... 40 bar [0 ... 500 psi]
Clamp DIN 32676	DN 40 with cooling element for 150 °C [302 °F]	≤ 0 ... 40 bar [0 ... 500 psi]
	DN 50 with cooling element for 150 °C [302 °F]	≤ 0 ... 40 bar [0 ... 500 psi]
Grooved union nut DIN 11851 with conical coupling	DN 25 with cooling element for 150 °C [302 °F]	≤ 0 ... 40 bar [0 ... 500 psi]
	DN 40 with cooling element for 150 °C [302 °F]	≤ 0 ... 25 bar [0 ... 500 psi]
	DN 50 with cooling element for 150 °C [302 °F]	≤ 0 ... 25 bar [0 ... 500 psi]
NEUMO BioConnect®	DN 40 form V with cooling element for 150 °C [302 °F]	≤ 0 ... 16 bar [0 ... 500 psi]
VARINLINE®	Form N with cooling element for 150 °C [302 °F], DN 40 ... 50	≤ 0 ... 16 bar [0 ... 500 psi]
	Form F with cooling element for 150 °C [302 °F], DN 25	≤ 0 ... 16 bar [0 ... 500 psi]

1) Also available as high-temperature version to 150 °C [302 °F] with extended EPDM or FKM seal.

2) Suitable WIKA adapter system model 910.61; see data sheet AC 09.20

Details must be tested separately in the respective application. The specified values for the overpressure limit serve only as a rough orientation. The values depend on the temperature, the seal used, the selected torque, the type and material of the mating thread and the prevailing operating conditions.

BioConnect® is a registered trademark of the company NEUMO.
VARINLINE® is a registered trademark of GEA Tüchenhagen GmbH.

14602071.03 08/2025 EN/DE/FR/ES

9. Specifications

Digital interface

Signal type	Unified WIKA Interface (UWI)
Digital signal resolution	< 0.01 % of measuring span
Connection type	Plug connection for NETRIS®3 M12 connector

Material

Materials (wetted)

PEU-20

≤ 40 bar [500 psi]	All process connections	Stainless steel 1.4404 / 316L Sensor: stainless steel 1.4404 / 316L
> 40 bar [500 psi]	All process connections	Process connection: stainless steel 1.4404 / 316L Sensor: Elgiloy® 2.4711
> 1,000 bar [15,000 psi]	All process connections	Process connection: stainless steel 1.4534 / 904L Sensor: stainless steel 1.4534 / 904L

PEU-21

All measuring ranges	All process connections	Process connection: stainless steel 1.4435 / 316L Diaphragm: stainless steel 1.4435 / 316L
	<ul style="list-style-type: none"> ■ G ½ ■ G 1 	Process connection: Hastelloy® HC276 / 2.4819 Diaphragm: Hastelloy HC276 / 2.4819
	<ul style="list-style-type: none"> ■ G ½ ■ G 1 	Process connection: gold-plated Diaphragm: gold-plated ¹⁾
Seal	<ul style="list-style-type: none"> ■ NBR ■ EPDM ■ FKM 	
	→ For PEU-21 G-threads up to max. +105 °C [221 °F]	
Surface roughness with hygienic connections	<ul style="list-style-type: none"> ■ Unpolished surface $R_a \leq 0.5 \mu\text{m}$ ■ Polished surface $R_a \leq 0.38 \mu\text{m}$ 	

System fill fluid

PEU-20	Measuring range ≤ 40 bar [500 psi]	Synthetic oil (halocarbon oil for oxygen applications)
	Measuring range > 40 bar [500 psi]	Dry measuring cell

9. Specifications

EN

Material		
PEU-21	All measuring ranges	<ul style="list-style-type: none"> ■ Synthetic oil (halocarbon oil for oxygen applications) ■ NEOBEE M-20 FDA (item no. 1490451)

1) Accuracy 0.1 % not available for gold-plated sensors.

All connections are NACE-compatible (MR0103 and MR0175). No NACE with measuring ranges > 1,000 bar [15,000 psi], see table „Process connection“.

Version for special media		
Food	FDA-listed, food-compatible system fill fluid	
Oil- and grease-free	Per G93:2019 level D (< 220 mg/m ²)	
Oxygen, oil- and grease-free	<ul style="list-style-type: none"> ■ Per G93:2019 level D (< 220 mg/m²) ■ Particle < 1,000 µm 	
Hydrogen	Measuring ranges	≥ 100 bar [1,450 psi]
	Material (wetted)	316L and Elgiloy (2.4711)
	With the measurement of hydrogen, preferably, a gold-plated diaphragm should be used. If this is not technically possible, a higher long-term drift should be expected. Use with pressures ≥ 1,000 bar [≥ 14,500 psi] is not permissible.	

Operating conditions		
Medium temperature limit	→ See table "Safety-related characteristic values (Ex)"	
	Oxygen application	-20 ... +60 °C [-4 ... +140 °F]
	Hydrogen application	Max. 30 °C [86 °F]
Medium temperature limit due to sealing material (only for model PEU-21)		
NBR	-20 ... +105 °C [-4 ... +221 °F]	
FKM	-20 ... +105 °C [-4 ... +221 °F]	
FKM	-20 ... +150 °C [-4 ... +302 °F] ²⁾	
EPDM	-40 ... +105 °C [-40 ... +221 °F]	
EPDM	-40 ... +150 °C [-40 ... +302 °F] ²⁾	
Ambient temperature limit	-40 ... +80 °C [-40 ... +176 °F] ¹⁾	
Storage temperature limit	-40 ... +80 °C [-40 ... +176 °F]	
Humidity per IEC 62828-1	50 ... 70 % relative humidity (non-condensing)	
Enclosure rating per CSA C22.2 No 94.2 and UL50E	Typ 4	

14602071.03 08/2025 EN/DE/FR/ES

9. Specifications

Operating conditions

Ingress protection per IEC 60529 (declared by manufacturer)	IP66/67
	The ingress protection only applies with a correct plug connection with model NETRIS®3
Pollution degree	4
Overvoltage category	I
Altitude for operation	2,000 [6,562 ft] above the sea level

Vibration resistance per DNVGL-CG-0339

For instruments without cooling element	4g (5 ... 100 Hz)
For instruments with cooling element	0.7g (5...100 Hz)

Shock resistance per IEC 60068-2-27

For instruments without cooling element	100g [6 ms]
For instruments without cooling element	50g [6 ms]
For instruments with measuring range 1,000 bar [15,000 psi]	20g [6 ms]


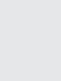
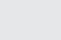
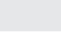


Mounting position	Vertical, diaphragm points downward
--------------------------	-------------------------------------

1) Instrument with angular connector or circular connector: -30 ... +80 °C [-22 ... +176 °F]

2) Process connection with cooling element

9. Specifications

9.2 Approvals

Logo	Description	Region	
	EU declaration of conformity	European Union	
	ATEX directive Hazardous areas		
	- Ex i Zone 0 gas - Ex i Zone 1 mounting to zone 0 gas		II 1G Ex ia IIC T4 ... T1 Ga II 1/2G Ex ia IIC T4 ... T1 Ga/ Gb
	- Ex i Zone 1 gas - Ex i Zone 20 dust - Ex i Zone 21 mounting to zone 20 dust		II 2G Ex ia IIC T4 ... T1 Gb II 1D Ex ia IIC T135°C Da II 1/2D Ex ia IIC T135 °C Da/Db
	- Ex i Zone 21 dust		II 2D Ex ia IIC T135°C Db
	EMC Directive EN 61326 emission (group 1, class A) and immunity (industrial environment)		
	Pressure Equipment Directive (pressure accessory, module A)		
	RoHS directive		
	IECEx Hazardous areas	International	
	- Ex i Zone 0 gas		Ex ia IIC T4 ... T1 Ga
	- Ex i Zone 1 mounting to zone 0 gas		Ex ia IIC T4 ... T1 Ga/Gb
	- Ex i Zone 1 gas		Ex ia IIC T4 ... T1 Gb
	- Ex i Zone 20 dust		Ex ia IIC T135°C Da
	- Ex i Zone 21 mounting to zone 20 dust		Ex ia IIC T135 °C Da/Db
- Ex i Zone 21 dust	Ex ia IIC T135°C Db		
	EHEDG Hygienic Equipment Design (only for PEU-21)	European Union	

Manufacturer's declaration

Logo	Description
-	Manufacturer's declaration regarding EU regulation 1935/2004 EC
-	Manufacturer's declaration GB 4806.1-2016 China National Food Safety Standard – Good Manufacturing Practice GB 31603-2015 (GMP)

9. Specifications

Certificates

Description	
Certificates	<ul style="list-style-type: none"> ■ Without ■ 2.2 test report per EN 10204 (e.g. state-of-the-art manufacturing, material proof, measurement accuracy) ■ 3.1 inspection certificate per EN 10204 (e.g. material proof for wetted metal parts)
Calibration	<ul style="list-style-type: none"> ■ Without ■ 3.1 inspection certificate per EN 10204 (factory calibration) ■ DAkkS calibration certificate (traceable and accredited in accordance with ISO/IEC 17025)
Recommended calibration interval	1 year (dependent on conditions of use)

→ For approvals and certificates, see website

Safety-related characteristic values (Ex)

Safety-related characteristic values (Ex)	
Electrical parameters of the intrinsically safe voltage supply	
Max. input voltage U_i	DC 6.7 V
Max. input current for gas applications I_i	250 mA
Max. input power P_i	300 mW
Effective internal capacitance C_i	4.4 nF
Effective internal inductance L_i	Negligible
Max. output voltage U_o ¹⁾	DC 6.7 V
Max. output current I_o ¹⁾	400 mA
Temperature range	→ Applies for temperature classes T4 ... T1 and max. surface temperature T135 for dust Ex atmosphere
Ambient temperature	-40 ... +80 °C [-40 ... +176 °F]
Medium temperature ²⁾	-40 ... +80 °C [-40 ... +176 °F] → For increased medium temperatures, see table "Further specifications on: Safety-related characteristic values (Ex)"

1) Short-term due to capacitor discharge, time constant $5 \times T < 25$ ms

2) Medium temperatures depend on the process connection, the seal and the characteristic values for explosion protection. Medium temperatures above 80 °C are only possible with flush process connections.

The model PEU-2x is intended for use with the intrinsically safe, battery-operated model NETRIS[®]3 radio unit with ignition protection type "ia" .

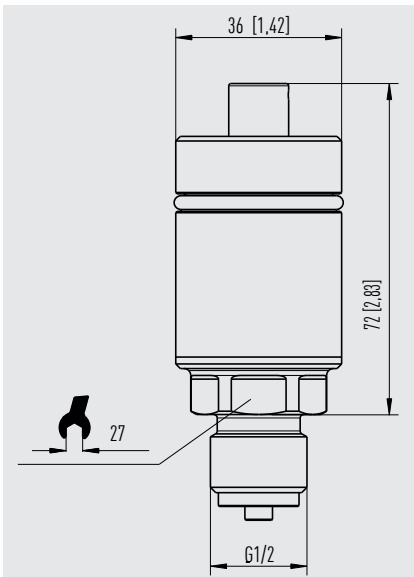
9. Specifications

EN

Further specifications on: Safety-related characteristic values (Ex)

Temperature class	Max. medium temperature	Ambient temperature
Without cooling element		
T4	120 °C [248 °F]	$-40 \leq Ta \leq +30 \text{ °C}$ [$-40 \leq Ta \leq +86 \text{ °F}$]
T4	105 °C [221 °F]	$-40 \leq Ta \leq +40 \text{ °C}$ [$-40 \leq Ta \leq +104 \text{ °F}$]
T4	85 °C [185 °F]	$-40 \leq Ta \leq +80 \text{ °C}$ [$-40 \leq Ta \leq +176 \text{ °F}$]
With cooling element		
T3	150 °C [302 °F]	$-40 \leq Ta \leq +40 \text{ °C}$ [$-40 \leq Ta \leq +104 \text{ °F}$]
T4	120 °C [248 °F]	$-40 \leq Ta \leq +50 \text{ °C}$ [$-40 \leq Ta \leq +122 \text{ °F}$]
T4	105 °C [221 °F]	$-40 \leq Ta \leq +50 \text{ °C}$ [$-40 \leq Ta \leq +122 \text{ °F}$]
T4	85 °C [185 °F]	$-40 \leq Ta \leq +80 \text{ °C}$ [$-40 \leq Ta \leq +176 \text{ °F}$]

9.3 Dimensions in mm [in]

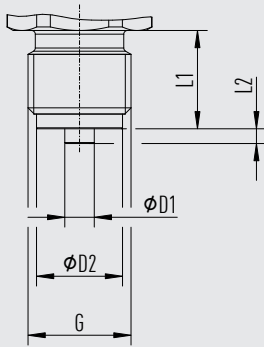


14602071.03 08/2025 EN/DE/FR/ES

9. Specifications

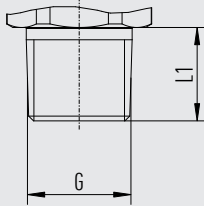
Process connections for model PEU-20

EN 837



G	L1	L2	D1	D2
G 3/8 B	16 [0.63]	3 [0.12]	5.5 [0.22]	13 [0.512]
G 1/2 B	20 [0.79]	3 [0.12]	6 [0.24]	17.5 [0.689]
M20 x 1.5	20 [0.79]	3 [0.12]	6 [0.24]	17.5 [0.689]

ANSI/ASME B1.20.1

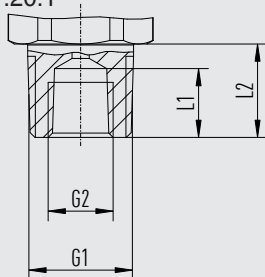


G	L1
1/4 NPT	13 [0.51]
1/2 NPT	19 [0.75]

9. Specifications

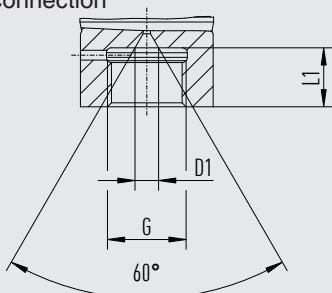
EN

ANSI/ASME B1.20.1



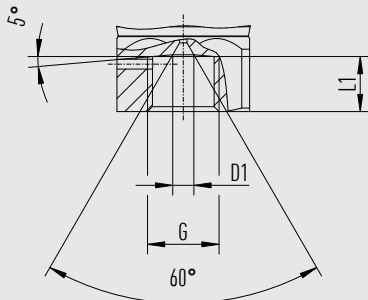
G1	G2	L1	L2
½ NPT, male	1/4 NPT, female	14 [0.55]	19 [0.75]

High-pressure connection



G	L1	D1
M16 x 1.5 female	12 [0.47]	4.8 [0.19]
M20 x 1.5 female	15 [0.59]	4.8 [0.19]

High-pressure connection



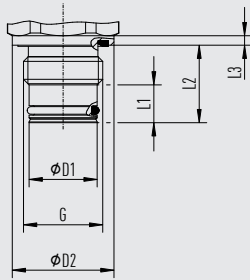
G	L1	D1
9/16-18 UNF female F 250-C	11.2 [0.44]	4.3 [0.17]

1.4602071.03 08/2025 EN/DE/FR/ES

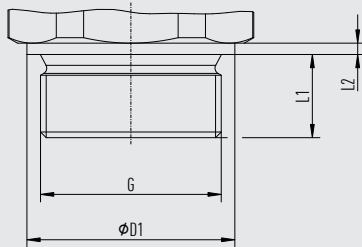
9. Specifications

Process connections for model PEU-21

EN



G	L1	L2	L3	D1	D2
G ½ B	10 [0.39]	20.5 [0.807]	3 [0.12]	18 [0.71]	26.9 [1.059]
G 1 B	9 [0.35]	25 [0.98]	2.5 [0.098]	30 [1.18]	40 [1.595]



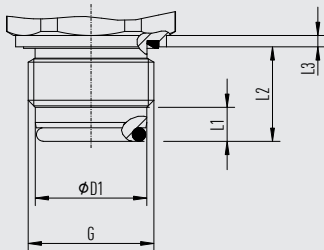
G	L1	L2	D1
G 1 ½ B	22 [0.87]	3 [0.12]	55 [2.17]

1_4602071.03 08/2025 EN/DE/FR/ES

9. Specifications

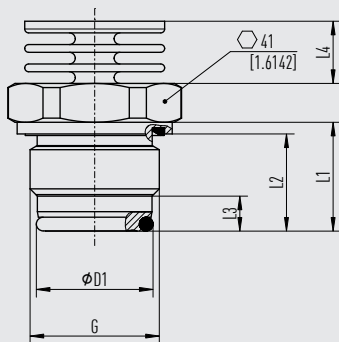
EN

Hygienic



G	L1	L2	L3	D1
G 1	9 [0.35]	25 [0.98]	3 [0.12]	29.5 [1.16]

Hygienic



G	L1	L2	L3	L4	D1
G 1	28 [1.10]	25 [0.98]	9 [0.35]	15.5 [0.61]	29.5 [1.161]

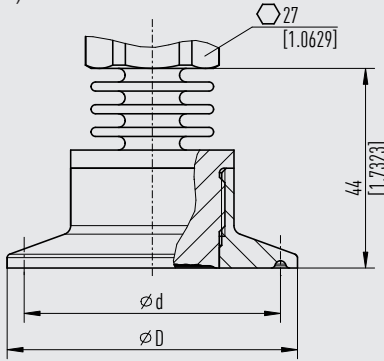
14602071.03 08/2025 EN/DE/FR/ES

9. Specifications

Hygienic connections for food industry, pharmaceutical industry and sanitary applications

EN

Clamp connection DIN 32676
TRI-CLAMP® 1)

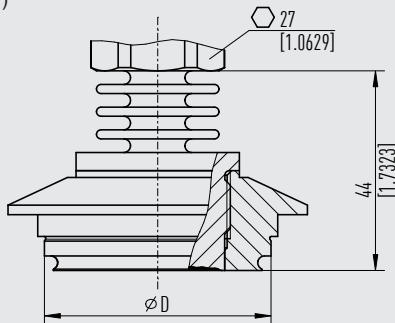


14656663

DN	ØD	Ød
DN 1 ½	50.5 [1.99]	43.5 [1.71]
DN 2	64 [2.52]	56.6 [2.23]
DN 40	50.5 [1.99]	43.5 [1.71]
DN 50	64 [2.52]	56.6 [2.23]

1) Process connections per ASME BPE

VARINLINE® 1)



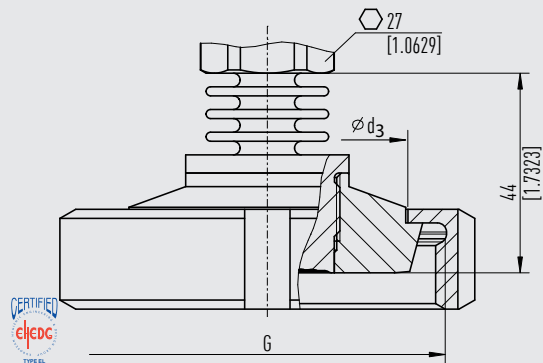
14656671

Form	ØD
Form F	50 [1.97]
Form N	68 [2.68]

14602071.03 08/2025 EN/DE/FR/ES

9. Specifications

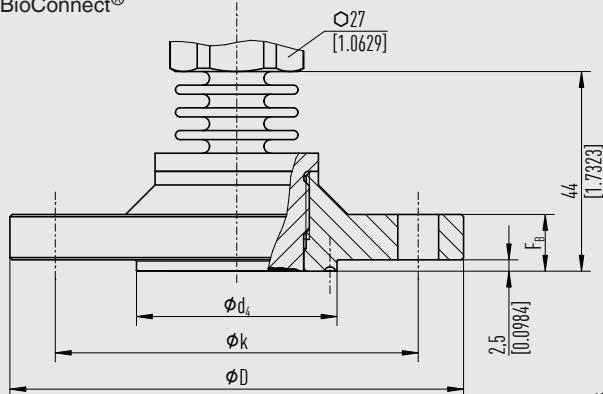
Grooved union nut DIN 11851
with conical coupling, for pipes per DIN 11850



14656667

DN	G	Ød ₃
DN 25	Rd 52 x 1/6	35 [1.37]
DN 40	Rd 65 x 1/6	44 [1.73]
DN 50	Rd 78 x 1/6	61 [2.40]

BioConnect®



14656675



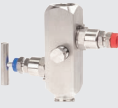
DN	Ød ₄	ØD	Øk	F _B
DN 40	44.2 [1.74]	100 [3.94]	80 [3.15]	10 [0.39]

14602071.03 08/2025 EN/DE/FR/ES

EN

10. Accessories and spare parts

10. Accessories and spare parts

	Model	Description	Order number
	NETRIS®3	Radio unit with LoRaWAN® for WIKA measuring instruments For applications in hazardous areas → See data sheet AC 40.03	-
	-	Welding socket for process connection G ½ flush	1192299
		Welding socket for process connection G 1 flush	1192264
		Welding socket for process connection G 1 ½ flush	2158982
		Welding socket for process connection G 1 hygienic flush	14070973
	IV20, IV21	Block-and-bleed valve → See data sheet AC 09.19	-

WIKA accessories can be found online at www.wika.com.

Inhalt

1. Allgemeines	45
1.1 Abkürzungen, Definitionen	46
1.2 Symbolerklärung	46
2. Sicherheit	47
2.1 Bestimmungsgemäße Verwendung	47
2.2 Fehlgebrauch	48
2.3 Personalqualifikation	49
2.4 Beschilderung, Sicherheitskennzeichnungen	49
2.5 Ex-Kennzeichnung	50
2.6 Besondere Bedingungen für die Verwendung (X-Conditions)	51
2.7 Hinweis zur Eigensicherheit	51
2.8 Einhaltung der EHEDG-Konformität.	52
2.9 Sicherheitsbeschreibung für Stromversorgung	52
3. Transport, Verpackung und Lagerung	53
3.1 Transport.	53
3.2 Verpackung und Lagerung.	53
4. Aufbau und Funktion	55
4.1 Übersicht.	55
4.2 Beschreibung	55
4.3 Lieferumfang	56
4.4 Produktpass	56
5. Inbetriebnahme und Betrieb	57
5.1 Anforderungen an die Messstelle	58
5.2 Mechanische Montage	58
5.3 Elektrischer Anschluss, Digitalausgang	59
5.4 Funkeinheit	59
6. Störungen	60
7. Wartung, Reinigung und Kalibrierung	62
7.1 Wartung	62
7.2 Reinigung	62
7.3 Kalibrierung.	63

DE

14602071.03 08/2025 EN/DE/FR/ES

8. Demontage, Rücksendung und Entsorgung	64
8.1 Demontage	64
8.2 Rücksendung	65
8.3 Entsorgung	65
9. Technische Daten	66
9.1 Technische Daten.	66
9.2 Zulassungen	73
9.3 Abmessungen in mm [in]	75
10. Zubehör und Ersatzteile	82
Annex: EU and UK declarations of conformity	163
Annex: Control drawing type PEU-2*	164

→ Konformitätserklärungen siehe www.wika.de.

Ergänzende Dokumentation:

- ▶ Bitte alle im Lieferumfang enthaltenen Dokumente beachten.



Vor der Inbetriebnahme des Geräts ist zusätzlich die Betriebsanleitung der Funkeinheit Typ NETRIS®3 (Artikelnummer 14521664) zu beachten.

1. Allgemeines

- Das in der Betriebsanleitung beschriebene Gerät wird nach dem aktuellen Stand der Technik konstruiert und gefertigt. Alle Bauteile unterliegen während der Herstellung strengen Qualitäts- und Umweltkriterien. Unsere Managementsysteme sind nach ISO 9001 und ISO 14001 zertifiziert.
- Diese Betriebsanleitung gibt wichtige Hinweise zum Umgang mit dem Gerät. Voraussetzung für sicheres Arbeiten ist die Einhaltung aller angegebenen Sicherheitshinweise und Handlungsanweisungen.
- Die für den Einsatzbereich des Geräts geltenden örtlichen Unfallverhütungsvorschriften und allgemeinen Sicherheitsbestimmungen einhalten.
- Die Betriebsanleitung ist Produktbestandteil und muss in unmittelbarer Nähe des Geräts für das Fachpersonal jederzeit zugänglich aufbewahrt werden. Betriebsanleitung an nachfolgende Bediener oder Besitzer des Geräts weitergeben.
- Das Fachpersonal muss die Betriebsanleitung vor Beginn aller Arbeiten sorgfältig durchgelesen und verstanden haben.
- Bei unterschiedlicher Auslegung der übersetzten und der englischen Betriebsanleitung ist der englische Wortlaut maßgebend.
- In diesem Dokument wird zur besseren Lesbarkeit das generische Maskulinum verwendet. Weibliche und anderweitige Geschlechteridentitäten werden dabei ausdrücklich eingeschlossen.
- Falls vorhanden, gilt neben dieser Betriebsanleitung auch die mitgelieferte Zuliefererdokumentation als Produktbestandteil.
- Es gelten die allgemeinen Geschäftsbedingungen in den Verkaufsunterlagen.
- Technische Änderungen vorbehalten.
- Werkskalibrierungen/DAkKS-Kalibrierungen erfolgen nach internationalen Normen.
- Weitere Informationen:
 - Internet-Adresse: www.wika.de / www.wika.com
 - Zugehöriges Datenblatt: PE 87.24
„Special documentation“ for LoRaWAN® communication protocol, models PEU-20 and PEU-21
 - Spezialdokumentation: communication protocol, models PEU-20 and PEU-21
 - Technische Information: IN 00.14 Einschraublöcher für Prozessanschlüsse
IN 00.50 Elektrische Montage
 - Kontakt: Tel.: +49 9372 132-0
info@wika.de

1. Allgemeines

1.1 Abkürzungen, Definitionen

- Aufzählungssymbol
- ▶ Handlungsanweisung
- 1. ... x. Handlungsanweisung Schritt für Schritt durchführen
- Siehe ... Querverweise
- UWI Unified WIKA Interface

1.2 Symbolerklärung



WARNUNG!

... weist auf eine möglicherweise gefährliche Situation hin, die zum Tod oder zu schweren Verletzungen führen kann, wenn sie nicht gemieden wird.



VORSICHT!

... weist auf eine möglicherweise gefährliche Situation hin, die zu geringfügigen oder leichten Verletzungen bzw. Sach- und Umweltschäden führen kann, wenn sie nicht gemieden wird.



GEFAHR!

... weist auf eine möglicherweise gefährliche Situation im explosionsgefährdeten Bereich hin, die zum Tod oder zu schweren Verletzungen führen kann, wenn sie nicht gemieden wird.



WARNUNG!

... weist auf eine möglicherweise gefährliche Situation hin, die durch heiße Oberflächen oder Flüssigkeiten zu Verbrennungen führen kann, wenn sie nicht gemieden wird.



Information

... hebt nützliche Tipps und Empfehlungen sowie Informationen für einen effizienten und störungsfreien Betrieb hervor.

2. Sicherheit

2.1 Bestimmungsgemäße Verwendung

Der Typ PEU-2x ist ein Drucktransmitter, der zur Messung eines Druckwerts verwendet wird, und ist ausschließlich für die Verwendung mit der Funkeinheit Typ NETRIS®3 zugelassen. Eine anderweitige Verwendung ist nicht möglich.

PEU-2x ist zur Druckmessung von Flüssigkeiten und Gasen in allen Anwendungen geeignet, die den technischen Spezifikationen entsprechen. Die Verwendung mit sehr heißen, sehr kalten oder aggressiven Messstoffen erfordert den Zusammenbau von Druckmittlern und Kühlelementen. Eine typische Anwendung ist die Überwachung von Kraftstoff-Füllständen an auseinanderliegenden Standorten mit Funkübertragung der Messwerte an eine Cloud.

Die Typen PEU-20 und PEU-21 sind für den Einsatz in explosionsgefährdeten Bereichen geeignet.

Eine Öffnung oder Zerlegung des Geräts in seine Bauteile ist nicht zulässig. Den Drucktransmitter nicht in beschädigtem Zustand verwenden.

Vor der Inbetriebnahme das Gerät optisch prüfen.

Die Messung der Gerätetemperatur führt zu höheren Genauigkeiten der Druckmessung (Temperaturkompensation) und ist nicht zur Prozesstemperaturbestimmung verwendbar.

Wenn das Gerät in einer Weise verwendet wird, die nicht vom Hersteller angegeben ist, kann die Schutzwirkung des Geräts beeinträchtigt werden.

Das Gerät ist ausschließlich für die hier beschriebene bestimmungsgemäße Verwendung konzipiert und konstruiert und darf nur dementsprechend verwendet werden.

Die technischen Spezifikationen in dieser Betriebsanleitung, siehe 9 „Technische Daten“, sowie der Betriebsanleitung der Funkeinheit NETRIS®3 sind einzuhalten. Eine sachgemäße Handhabung und das Betreiben des Geräts innerhalb der technischen Daten wird vorausgesetzt. Andernfalls ist eine sofortige Stilllegung und Überprüfung durch autorisiertes WIKA-Servicepersonal erforderlich.

Zusammenbau

Für die Einsatzgrenzen des Zusammenbaus ist die Einhaltung der Spezifikationen der Funkeinheit und der Spezifikationen des Typs PEU-2x erforderlich. Der zulässige Umgebungstemperaturbereich des Zusammenbaus wird durch das Gerät mit dem niedrigsten Temperaturbereich bestimmt.

Elektronische Präzisionsmessgeräte mit erforderlicher Sorgfalt behandeln (vor Nässe, Stößen, starken Magnetfeldern, statischer Elektrizität und extremen Temperaturen schützen, keine Gegenstände in das Gerät bzw. Öffnungen einführen). Stecker und Buchsen vor Verschmutzung schützen.



Die Fernüberwachung des Prozessdrucks mittels Funkübertragung ist nur für nicht kritische und nicht sicherheitsrelevante Anwendungen geeignet.

Die Fernüberwachungsfunktion darf nicht für Steuerungszwecke genutzt werden, da nicht ausgeschlossen werden kann, dass es bei der Funkübertragung zum Verlust von Datenpaketen kommen kann.

Klassifizierung nach europäischer Druckgeräterichtlinie

- Geräteart: druckhaltendes Ausrüstungsteil ohne Sicherheitsfunktion
- Messstoffe: flüssig oder gasförmig, Gruppe 1 (gefährlich)
- Maximal zulässiger Druck PS siehe Kapitel 2.4 „Beschilderung, Sicherheitskennzeichnungen“
- Volumen messstoffberührter Teile: < 1 l

Der Endanwender des Geräts muss beurteilen, ob für seine spezifische Anwendung in Kanada eine kanadische Registrierungsnummer (CRN) erforderlich ist. Die mit der CRN verbundenen Einschränkungen und Beschränkungen müssen berücksichtigt werden.

Ansprüche jeglicher Art aufgrund von nicht bestimmungsgemäßer Verwendung sind ausgeschlossen.

2.2 Fehlgebrauch

- Jede über die bestimmungsgemäße Verwendung hinausgehende oder andersartige Benutzung gilt als Fehlgebrauch.
- Eigenmächtige Umbauten am Gerät unterlassen.
- Nicht in Sicherheits- oder in Not-Aus-Einrichtungen verwenden.
- Nicht bei abrasiven und viskosen Messstoffen verwenden.



Äußere Schlägeinwirkungen können durch Reibungsprozesse zwischen unterschiedlichen Werkstoffen Funken erzeugen.

Explosionsfähige Atmosphäre aus hybriden Gemischen

Die Geräte dürfen nicht in Bereichen eingesetzt werden, in denen eine Atmosphäre aus explosionsfähigen hybriden Gemischen (Stäube gemischt mit Gasen) entstehen kann.

Handhabung von Werkstoffen

Die Exposition des Geräts gegenüber Stoffen oder Umgebungsbedingungen vermeiden, die einen Negativeinfluss auf das Gerät und die verwendeten Werkstoffe haben könnten. Den Umgang mit selbstentzündlichen Substanzen vermeiden. Für eine Liste der verwendeten Werkstoffe siehe Kapitel 9 „Technische Daten“.

2.3 Personalqualifikation



Die in dieser Betriebsanleitung beschriebenen Tätigkeiten nur durch Fachpersonal nachfolgend beschriebener Qualifikation durchführen lassen.

Fachpersonal

Das vom Betreiber autorisierte Fachpersonal ist aufgrund seiner fachlichen Ausbildung, seiner Kenntnisse der Mess- und Regelungstechnik und seiner Erfahrungen sowie Kenntnis der landesspezifischen Vorschriften, geltenden Normen und Richtlinien in der Lage, die beschriebenen Arbeiten auszuführen und mögliche Gefahren selbstständig zu erkennen.

DE

Besondere Kenntnisse bei Arbeiten mit Geräten für explosionsgefährdete Bereiche:

Das Fachpersonal muss Kenntnisse haben über Zündschutzarten, Vorschriften und Verordnungen für Betriebsmittel in explosionsgefährdeten Bereichen.

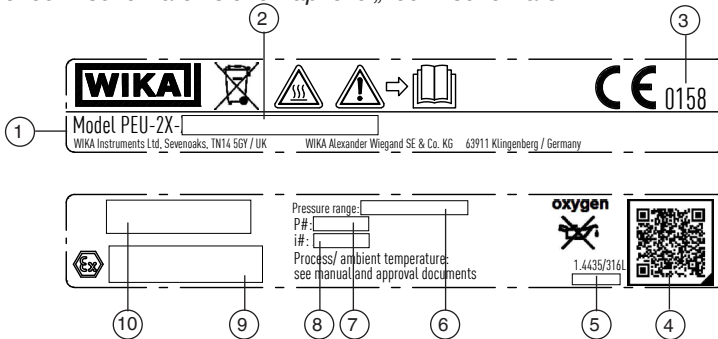
Spezielle Einsatzbedingungen verlangen weiteres entsprechendes Wissen über gefährliche Messstoffe.

2.4 Beschilderung, Sicherheitskennzeichnungen

Die Beschilderung, Sicherheitskennzeichnungen sind lesbar zu halten.

Typenschild (Beispiel)

Weitere technische Daten siehe Kapitel 9 „Technische Daten“.



- 1 Typenbezeichnung
- 2 Bestellcode
- 3 Konformitätszeichen + Kennnummer der benannten oder zugelassenen Stelle
- 4 QR-Code zum Identifikationslink
- 5 Herstellungsdatum (JJJJ-MM)

2. Sicherheit

- ⑥ Max. zulässiger Druck in bar bei Raumtemperatur
- ⑦ Artikelnummer
- ⑧ Intelligente Seriennummer
- ⑨ Ex-Kennzeichnung
- ⑩ Weitere Zulassungen

Symbole



Vor Montage und Inbetriebnahme des Geräts unbedingt die Betriebsanleitung lesen.



Nicht mit dem Hausmüll entsorgen. Für eine geordnete Entsorgung nach nationalen Vorgaben sorgen.



Identifikationslink nach IEC 61406-1 zum Produktpass
→ Weitere Informationen siehe Kapitel 4.4 „Produktpass“.

oxygen



Sonderausführung
Gerät ist öl- und fettfrei und für Sauerstoffanwendungen geeignet.



Warnung vor heißer Oberfläche

2.5 Ex-Kennzeichnung



GEFAHR! **Lebensgefahr durch Explosion**

Die Nichtbeachtung der Inhalte und Anweisungen dieser Betriebsanleitung kann zum Verlust des Explosionsschutzes führen.

- ▶ Installation und Inbetriebnahme des Geräts nach Herstellervorgaben durchführen.
- ▶ Sicherheitshinweise in diesem Kapitel sowie weitere Explosionsschutzhinweise in dieser Betriebsanleitung beachten.
- ▶ Die Angaben der geltenden Baumusterprüfbescheinigung sowie die jeweiligen landesspezifischen Vorschriften zu Installation und Einsatz in explosionsgefährdeten Bereichen (z. B. IEC 60079-14, NEC, CEC) einhalten.

2. Sicherheit

Überprüfen, ob die Klassifizierung für den Einsatzfall geeignet ist. Die jeweiligen nationalen Vorschriften und Bestimmungen beachten.

ATEX
II 1G Ex ia IIC T4 ... T1 Ga
II 1/2G Ex ia IIC T4 ... T1 Ga/Gb
II 2G Ex ia IIC T4 ... T1 Gb
II 1D Ex ia IIC T135°C Da
II 1/2D Ex ia IIC T135 °C Da/Db
II 2D Ex ia IIC T135°C Db

IECEX
Ex ia IIC T4 ... T1 Ga
Ex ia IIC T4 ... T1 Ga/Gb
Ex ia IIC T4 ... T1 Gb
Ex ia IIC T135°C Da
Ex ia IIC T135 °C Da/Db
Ex ia IIC T4 ... T1 Gb

DE

2.6 Besondere Bedingungen für die Verwendung (X-Conditions)

- Der Umgebungstemperaturbereich hängt von der Temperaturklasse ab.
- Die Trennwand (Membrane) zum messstoffberührten Bereich weist funktionsbedingt eine Wandstärke < 0,2 mm [0,008 in] auf. In der Verwendung ist sicherzustellen, dass eine Beeinträchtigung der Trennwand z.B. durch aggressive Messstoffe oder durch mechanische Gefährdungen ausgeschlossen wird.
- In Gas-Ex-Bereichen muss das Gerät so installiert werden, dass elektrostatische Aufladungen und Entladungsprozesse ausgeschlossen sind.
- In Staub-Ex-Bereichen mit leitfähigen Stäuben der Gruppe IIIC ist der eigensichere Stromkreis nicht sicher von Erde / ggf. geerdeten metallischen Teilen getrennt. Entlang des eigensicheren Stromkreises muss Potenzialausgleich herrschen.

2.7 Hinweis zur Eigensicherheit



GEFAHR!

Lebensgefahr durch Verlust des Explosionsschutzes

Zusätzlich die Ex-Kennzeichnung der angeschlossenen Funkeinheit beachten.

- ▶ Ausschließlich die bescheinigte Funkeinheit verwenden.

Ein separater Nachweis der Eigensicherheit ist nicht erforderlich, wenn das Gerät mit der Funkeinheit verbunden wird. Die Funkeinheit verfügt über eine eigensichere Schnittstelle, die die sichere Übertragung der Messdaten gewährleistet.

Ausschließlich die bescheinigte Funkeinheit NETRIS®3 ist zum Anschluss an den Drucktransmitter Typ PEU-2x freigegeben. Eine andere Funkeinheit darf nicht für einen Zusammenbau verwendet werden.

- Für detaillierte Beschreibungen des batteriebetriebenen, zertifizierten Geräts siehe Betriebsanleitung Typ NETRIS®3, Artikelnummer 14521664.

2. Sicherheit

2.8 Einhaltung der EHEDG-Konformität

Für eine EHEDG-konforme Anbindung müssen Dichtungen nach aktuellem EHEDG-Positionspapier verwendet werden. Dichtungen für Verbindungen nach DIN 32676 und BS 4825 Part 3 werden z. B. von der Fa. Combifit International B.V. hergestellt. Die zwei möglichen Gehäuseausführungen erfüllen die Kriterien der EHEDG-Zulassungen und sind für den Hygienebereich nach der zuständigen Norm zugelassen. Die Einhaltung der Konformität ist nur für zertifizierte Ausführungen gegeben, die im Datenblatt mit EHEDG-Logo gekennzeichnet sind. Drucktransmitter mit frontbündigem Prozessanschluss mit EHEDG-Konformität sind als Typ PEU-21 auf dem Typenschild gekennzeichnet.

→ Weitere Informationen siehe Datenblatt PE 87.24.

2.9 Sicherheitsbeschreibung für Stromversorgung

Der M12-Stecker zur Funkeinheit darf nur in spannungsfreiem Zustand gesteckt und auch gezogen werden.

Schutzart nach EN 60529 (vom Hersteller deklariert)	IP66/67
Feuchte	50 .. 70 % relative Feuchte (keine Betauung)
Verschmutzungsgrad	4
Überspannungskategorie	I
Höhenlage für Betrieb	2.000 m [6.562 ft] über N. N.

3. Transport, Verpackung und Lagerung

3.1 Transport



VORSICHT!

Beschädigungen durch unsachgemäßen Transport

Bei unsachgemäßem Transport können Sachschäden entstehen.

- ▶ Beim Abladen der Packstücke bei Anlieferung sowie innerbetrieblichem Transport vorsichtig vorgehen und die Symbole auf der Verpackung beachten.
- ▶ Bei innerbetrieblichem Transport die Hinweise unter 3.2 „Verpackung und Lagerung“ beachten.
- ▶ Nach dem Zusammenbau das Gerät nicht an der Funkeinheit tragen.

Gerät auf eventuell vorhandene Schäden untersuchen.

Bei Schäden Gerät nicht in Betrieb nehmen und unverzüglich Kontakt mit dem Hersteller aufnehmen.

Wird das Gerät von einer kalten in eine warme Umgebung transportiert, kann durch Kondensatbildung eine Störung der Gerätefunktion eintreten. Vor einer erneuten Inbetriebnahme die Angleichung der Gerätetemperatur an die Raumtemperatur abwarten.

3.2 Verpackung und Lagerung

Verpackung und weitere Schutzelemente (z. B. Schutzkappe) erst unmittelbar vor der Montage entfernen.

Die Verpackung aufbewahren, denn diese bietet bei einem Transport einen optimalen Schutz (z. B. wechselnder Einbauort, Reparatursendung).

Zulässige Bedingungen am Lagerort:

- Lagertemperatur: -40 ... +80 °C [-40 ... +176 °F]
- Feuchte: 45 ... 75 % relative Feuchte (keine Betauung)

Folgende Einflüsse vermeiden:

- Direktes Sonnenlicht oder Nähe zu heißen Gegenständen
- Mechanische Vibration, mechanischer Schock (hartes Aufstellen)
- Ruß, Dampf und korrosive Gase

3. Transport, Verpackung und Lagerung

Das Gerät in der Originalverpackung an einem Ort lagern, der die zuvor aufgelisteten Bedingungen erfüllt. Bereits in Betrieb genommene Geräte sind vor der Einlagerung zu reinigen, siehe 7.2 „Reinigung“.

Wenn die Originalverpackung nicht vorhanden ist, das Gerät wie folgt verpacken und lagern:

1. Das Gerät in eine antistatische Plastikfolie einhüllen. (bei Geräten mit elektrischen Bauteilen)
2. Das Gerät in der Verpackung platzieren und gleichmäßig dämmen.
3. Bei längerer Einlagerung (mehr als 30 Tage) einen Beutel mit Trocknungsmittel der Verpackung beilegen.



Zwischenlagerung nach Zusammenbau

Zur Schonung der Batterie bei längerer Zwischenlagerung einer bereits aktivierten Funkeinheit kann die Funkeinheit wieder deaktiviert werden.

4. Aufbau und Funktion

4.1 Übersicht



- ① Steckverbindung für M12 x 1 Stecker NETRIS®3
- ② Dichtring
- ③ Gehäuse; Typenschild
- ④ Prozessanschluss, Schlüsselfläche
- ⑤ Prozessanschluss, Gewinde

4.2 Beschreibung

Durch den modularen Aufbau ist der Drucktransmitter PEU-2x für den Betrieb mit der Funkeinheit Typ NETRIS®3 abgestimmt. Der anstehende Druck wird mittels Membranverformung am Sensorelement gemessen. Unter Zuführung der batteriebetriebenen Spannungsversorgung durch die Funkeinheit Typ NETRIS®3 wird diese Membranverformung in ein elektrisches Signal umgewandelt. Das vom Drucktransmitter ausgegebene Signal wird über Unified WIKA Interface (UWI) an die Funkeinheit NETRIS®3 übertragen.

Die Funkeinheit gewährleistet die eigensichere Spannungsversorgung für den Drucksensor PEU-2x und sorgt für die Übertragung der gemessenen Daten auf Basis der LPWAN-Technologie („Low Power Wide Area Network“). Die Mess- und Übertragungsintervalle sowie die Alarmgrenzen für besondere Messwerte lassen sich über die IIoT-Plattform konfigurieren.

→ Details zur Alarmkonfiguration siehe „Special documentation“ for LoRaWAN® communication specification, Typ PEU-2x.

4. Aufbau und Funktion

4.3 Lieferumfang

- Gerät
- Betriebsanleitung
- Gewindeschutzkappe
- Schutzkappe für Steckverbindung

Lieferumfang mit dem Lieferschein abgleichen.

4.4 Produktpass

Es gibt drei Möglichkeiten zum geräteindividuellen Produktpass zu gelangen.

- Über den QR-Code auf dem Typenschild
- Über die Produktdetailseite des Geräts
- Über den Link hier in der Betriebsanleitung

Der Produktpass kann auf der Produktseite oder direkt unter der dazugehörigen Web-Applikation aufgerufen werden.



<https://productpass.wika.com/>

Folgendes wird bereitgestellt:

- Die wichtigsten Produktinformationen wie Messbereich, Genauigkeit, Prozessanschluss, Herstelldatum usw.
- Kalibrierzertifikate, Zeugnisse und Protokolle
- Dokumentationsunterlagen, wie z. B. das Datenblatt und die Betriebsanleitung

Aus dieser Ansicht heraus können die benötigten Informationen direkt ausgedruckt oder auch per E-Mail versendet werden.

Ein direkter Link zum Online-Shop vereinfacht die Bestellung von weiterem Zubehör passend zum Gerät.

5. Inbetriebnahme und Betrieb

Personal: Fachpersonal

Werkzeuge: Schraubenschlüssel



GEFAHR!

Lebensgefahr durch Explosion

Durch Arbeiten in entzündlichen Atmosphären besteht eine Explosionsgefahr, die zum Tod führen kann.

- ▶ Rüstarbeiten nur in nicht explosionsgefährdeten Umgebung durchführen.



WARNUNG!

Körperverletzungen, Sach- und Umweltschäden durch gefährliche Messstoffe

Bei Kontakt mit gefährlichen Messstoffen (z. B. Sauerstoff, Acetylen, brennbaren oder giftigen Stoffen) und gesundheitsgefährdenden Messstoffen (z. B. ätzend, giftig, krebserregend, radioaktiv) besteht die Gefahr von Körperverletzungen, Sach- und Umweltschäden.

Im Fehlerfall können am Gerät gefährliche Messstoffe unter hohem Druck oder Vakuum anliegen.

- ▶ Bei diesen Messstoffen müssen über die gesamten allgemeinen Regeln hinaus die einschlägigen Vorschriften beachtet werden.



Die verwendeten Werkstoffe können Temperaturen bei externem Brand nicht standhalten. Bei besonderen Erfordernissen zum Brandschutz sind entsprechende Maßnahmen durch den Betreiber vorzunehmen.

Nach Einwirkungen durch Wind oder Erdbeben muss das Gerät auf Beschädigungen (z. B. Risse, Schweißnahtbeschädigungen, Flüssigkeitsaustritt) überprüft werden. Die Funktion muss durch einen Funktionstest sichergestellt werden.

Nur Originalteile verwenden, siehe 9 „Technische Daten“.

Gerät auf eventuell vorhandene Schäden untersuchen.

Bei Schäden Gerät nicht in Betrieb nehmen und unverzüglich Kontakt mit dem Hersteller aufnehmen.

5. Inbetriebnahme und Betrieb

5.1 Anforderungen an die Messstelle

Die Messstelle muss folgende Bedingungen erfüllen:

- Dichtflächen am Gerät und der Messstelle müssen stets frei von Verschmutzungen sein.
- Ggf. vorhandene Schutzkappe und/oder Mylar- bzw. Schutzfolie erst kurz vor dem Einbau entfernen.
- Zulässige Umgebungstemperaturen bleiben innerhalb der Leistungsgrenzen des Messgeräts. Mögliche Einschränkungen des Umgebungstemperaturbereiches durch verwendete Gegenstecker berücksichtigen.

5.2 Mechanische Montage



GEFAHR!

Lebensgefahr durch beschädigte Membrane

Bei beschädigter Membrane am frontbündigen Prozessanschluss erlischt der Explosionsschutz. Es kann zu Explosionen kommen.

- ▶ Vor der Inbetriebnahme das Gerät optisch prüfen. Auslaufende Flüssigkeit weist auf eine Beschädigung hin.
- ▶ Membrane vor Schlägen und Kontakt mit abrasiven Messstoffen schützen.



VORSICHT!

Beschädigung des Geräts

Um eine Beschädigung des Geräts zu vermeiden, Folgendes beachten:

- ▶ Das Gerät darf von außen keinerlei mechanischen Belastungen ausgesetzt werden (z. B. Nutzung als Steighilfe, Ablage von Gegenständen).
- ▶ Auf saubere und einwandfreie Gewindeanschlüsse und Dichtflächen achten.
- ▶ Geeignete Dichtungen und Schraubenschlüssel verwenden.
- ▶ Das Gerät so installieren, dass prozessbedingte elektrostatische Aufladungen, z. B. durch vorbeiströmende Messstoffe, ausgeschlossen werden.
- ▶ Die Stecker-Pins dürfen nicht mit Feuchte in Berührung kommen.



Das Anzugsdrehmoment ist von dem Prozessanschluss, dem Werkstoff und der Dichtung abhängig.

Vor Montage, Inbetriebnahme und Betrieb sicherstellen:

1. Vor der Inbetriebnahme das Gerät optisch prüfen. Auslaufende Flüssigkeit weist auf eine Beschädigung hin.
2. Richtiges Gerät hinsichtlich Messbereich, Ausführung, Explosionsschutz und spezifischen Messbedingungen auswählen.

3. Behälter, Rohrleitung oder System drucklos schalten.
 4. Dichtfläche abdichten und auf Dichtheit prüfen.
 5. Gerät handfest in die Messstelle einschrauben. Darauf achten, dass die Gewindegänge nicht verkanten.
 6. Das Gerät nur über die Schlüsselflächen ein- bzw. ausschrauben. Niemals das Gehäuse als Angriffsfläche verwenden.
- Angaben zu Einschraublöchern und Einschweißstutzen siehe technische Information IN 00.14 unter www.wika.de.

Montagehinweise für Geräte mit frontbündigem Prozessanschluss in Verbindung mit EHEDG

Nachfolgende Hinweise, insbesondere für EHEDG-zertifizierte Geräte beachten.

- Für Geräte mit EHEDG sicherstellen, dass die in Kapitel 2.8 „Einhaltung der EHEDG-Konformität“ beschriebenen Bedingungen erfüllt sind.
- Gerät tottraumarm und leicht reinigbar montieren.
- Einbaulage darf keine schöpfende Stelle bilden oder eine Spülbeckenbildung verursachen.

5.3 Elektrischer Anschluss, Digitalausgang

Das Gerät muss in den Potenzialausgleich der Anlage eingebunden werden.

Der digitale Anschluss des Geräts verfügt über die WIKA-eigene UWI-Schnittstelle (Unified WIKA Interface) und sorgt für die Datenübertragung zwischen dem Messgerät und der Funkeinheit Typ NETRIS®3.

Diese Schnittstelle eignet sich zur eigensicheren Datenübertragung zwischen geeigneten WIKA-Funkeinheiten und Messgeräten, die die UWI-Schnittstelle nutzen.

Das Gerät darf nur über ein zertifiziertes Netzteil mit Strom versorgt werden, das eine doppelte oder verstärkte Isolierung mit einem Ausgang aufweist, der die Grenzen von CSA/UL/EN/IEC 61010-1:2010 Kapitel 6.3.1/6.3.2 und 9.4 oder Klasse 2 nach CSA 223/UL 1310 nicht überschreitet.

Der elektrische Anschluss erfolgt über den Rundstecker M12 x 1 (4-polig).

→ Details der sicherheitstechnischen Kennwerte (Ex) siehe 9 „Technische Daten“

5.4 Funkeinheit

Alle zur Aktivierung der Funkeinheit oder Anbindung des Geräts in die IIoT-Infrastruktur benötigten Informationen sind in der Betriebsanleitung für die Funkeinheit enthalten.

→ Für Details siehe Betriebsanleitung der Funkeinheit Typ NETRIS®3.

6. Störungen

Personal: Fachpersonal



GEFAHR!

Lebensgefahr durch Explosion

Durch Arbeiten in entzündlichen Atmosphären besteht eine Explosionsgefahr, die zum Tod führen kann.

- ▶ Störungen nur in nicht explosionsgefährdeter Umgebung beseitigen.



WARNUNG!

Körperverletzungen, Sach- und Umweltschäden durch gefährliche Messstoffe

Bei Kontakt mit gefährlichen Messstoffen (z. B. Sauerstoff, Acetylen, brennbaren oder giftigen Stoffen) und gesundheitsgefährdenden Messstoffen (z. B. ätzend, giftig, krebserregend, radioaktiv) besteht die Gefahr von Körperverletzungen, Sach- und Umweltschäden.

Im Fehlerfall können am Gerät gefährliche Messstoffe unter hohem Druck oder Vakuum anliegen.

- ▶ Bei diesen Messstoffen müssen über die gesamten allgemeinen Regeln hinaus die einschlägigen Vorschriften beachtet werden.



Können Störungen mit Hilfe der aufgeführten Maßnahmen nicht beseitigt werden, Gerät unverzüglich außer Betrieb setzen.

- ▶ Kontakt mit dem Hersteller aufnehmen.
- ▶ Bei notwendiger Rücksendung die Hinweise im Kapitel 8.2 „Rücksendung“ beachten.



Kontaktdaten siehe Kapitel 1 „Allgemeines“ oder Rückseite der Betriebsanleitung.

Bei Störungen zuerst überprüfen, ob das Gerät mechanisch und elektrisch korrekt montiert ist.

Störungen	Ursachen	Maßnahmen
Gleichbleibendes Ausgangssignal bei Druckänderung	Mechanische Überlast durch Überdruck	Gerät austauschen, bei wiederholtem Ausfall Rücksprache mit dem Hersteller
Kein Ausgangssignal	Kabelbruch	Anschlusskabel auf Durchgang überprüfen

6. Störungen

DE

Störungen	Ursachen	Maßnahmen
Abweichendes Nullpunktsignal	Überlastsicherheit überschritten	Nullpunkt neu einstellen und Überlastsicherheit einhalten
	Beschädigung am Prozessanschluss	Gerät austauschen
Signalspanne fällt ab	Beschädigung am Prozessanschluss	Gerät austauschen, bei wiederholtem Ausfall Rücksprache mit dem Hersteller
	Dichtung ist beschädigt oder verschmutzt	Bei Verschmutzung die Dichtung und Messstelle reinigen. Bei Beschädigung die Dichtung austauschen.
	Dichtung sitzt nicht korrekt	Gerät ausbauen und korrekt abdichten
	Gewindgänge verkantet	Gerät korrekt montieren
	Mechanische Belastung des Geräts durch sich verbiegende Rohrleitungen, die vom Hersteller nicht betrachtet werden können.	Ausschließen von Reaktionskräften vor und nach dem Gerät über die Rohrleitungen
Signalspanne zu klein	Mechanische Überlastung durch Überdruck	Gerät neu justieren
Signalspanne schwankend	Stark schwankender Druck des Messstoffs	Dämpfung; Beratung durch Hersteller

- Für Details hinsichtlich der Funkeinheit siehe Betriebsanleitung der Funkeinheit Typ NETRIS®3.
- Für den Austausch des Geräts die Kapitel 8 „Demontage, Rücksendung und Entsorgung“ und 5 „Inbetriebnahme und Betrieb“ beachten.

7. Wartung, Reinigung und Kalibrierung

Personal: Fachpersonal



Kontaktinformationen siehe Kapitel 1 „Allgemeines“ oder Rückseite der Betriebsanleitung.

DE

7.1 Wartung

Das Gerät ist wartungsfrei.

Reparaturen sind ausschließlich vom Hersteller durchzuführen.

→ Nur Originalteile verwenden, siehe Kapitel 9 „Technische Daten“.

7.2 Reinigung



VORSICHT!

Körperverletzungen, Sach- und Umweltschäden

Messstoffreste können zur Gefährdung von Personen, Umwelt und Einrichtung führen.

- ▶ Reinigungsvorgang nach Herstellervorgaben durchführen.



VORSICHT!

Sachschaden durch unsachgemäße Reinigung

Eine unsachgemäße Reinigung führt zur Beschädigung des Geräts.

- ▶ Keine aggressiven Reinigungsmittel verwenden.
- ▶ Keine harten und spitzen Gegenstände zur Reinigung verwenden.
- ▶ Keine scheuernden Tücher oder Schwämme verwenden.

1. Vor der Reinigung das Gerät ordnungsgemäß von der Druckversorgung trennen, ausschalten und vom Stromnetz trennen.
2. Das Gerät mit einem feuchten Tuch reinigen.
Elektrische Anschlüsse nicht mit Feuchte in Berührung bringen.
3. Ausgebautes Gerät spülen bzw. säubern, um Personen und Umwelt vor Gefährdung durch anhaftende Messstoffreste zu schützen.



Eine 100 % rückstandsfreie Reinigung ist bauartbedingt nicht möglich.

Reinigungsprozesse, die zu elektrostatischer Aufladung führen können, unterlassen und offene Stecker-Pins nicht berühren.

7. Wartung, Reinigung und Kalibrierung

Reinigungsprozess Cleaning in Place (CIP)

- Bei Reinigung von außen („Washdown“) zulässige Temperatur und Schutzart beachten.
- Nur Reinigungsmittel verwenden, die für die eingesetzten Dichtungen geeignet sind.
- Reinigungsmittel dürfen weder abrasiv sein noch die Werkstoffe der messstoffberührten Teile korrosiv angreifen.
- Temperaturschocks oder schnelle Temperaturänderungen vermeiden. Die Temperaturdifferenz zwischen Reinigungsmittel und Klarspülung mit Wasser sollte möglichst gering sein. Negativbeispiel: Reinigung mit 80 °C [176 °F] und Klarspülung mit 4 °C [39 °F] kaltem Wasser.

DE

7.3 Kalibrierung

Es wird empfohlen, das Gerät in regelmäßigen Zeitabständen von ca. 12 Monaten durch den Hersteller kalibrieren zu lassen.

Die Kalibrierung der digital übermittelten Werte ist nur in Verbindung mit der Funkeinheit Typ NETRIS®3 möglich.

→ Für Details siehe Betriebsanleitung der Funkeinheit Typ NETRIS®3.

8. Demontage, Rücksendung und Entsorgung

Personal: Fachpersonal

Werkzeuge: Schraubenschlüssel



WARNUNG!

Körperverletzung

Bei der Demontage besteht Gefahr durch gefährliche Messstoffe und hohe Drücke.

- ▶ Angaben im Sicherheitsdatenblatt für den entsprechenden Messstoff beachten.
- ▶ Gerät im drucklosen und abgekühlten Zustand demontieren.
- ▶ Ausgebaute Gerät (nach Betrieb) spülen bzw. säubern, um Personen und Umwelt vor Gefährdungen durch anhaftende Messstoffreste zu schützen.



WARNUNG!

Verbrennungsgefahr

Bei der Demontage besteht Gefahr durch austretende, gefährlich heiße Messstoffe.

- ▶ Vor der Demontage das Gerät auf Raumtemperatur abkühlen lassen.



WARNUNG!

Körperverletzungen, Sach- und Umweltschäden durch gefährliche Messstoffe

Bei Kontakt mit gefährlichen Messstoffen (z. B. Sauerstoff, Acetylen, brennbaren oder giftigen Stoffen) und gesundheitsgefährdenden Messstoffen (z. B. ätzend, giftig, krebserregend, radioaktiv) besteht die Gefahr von Körperverletzungen, Sach- und Umweltschäden.

Im Fehlerfall können am Gerät gefährliche Messstoffe unter hohem Druck oder Vakuum anliegen.

- ▶ Bei diesen Messstoffen müssen über die gesamten allgemeinen Regeln hinaus die einschlägigen Vorschriften beachtet werden.

8.1 Demontage

1. Gerät mit Schraubenschlüssel über die Schlüsselfläche lösen.
2. Gerät mit der Hand herausschrauben.
3. Funkeinheit vom Gerät lösen, siehe Betriebsanleitung der Funkeinheit Typ NETRIS®3.
4. Gerät bei Bedarf reinigen, siehe Kapitel 7.2 „Reinigung“.



Das Anzugsdrehmoment ist von dem Prozessanschluss, dem Werkstoff und der Dichtung abhängig.

8. Demontage, Rücksendung und Entsorgung



Bei getrennter Steckverbindung den elektrischen Anschluss nicht mit Feuchte in Berührung bringen.
Den elektrischen Anschluss vor elektrostatischer Entladung schützen.
Wenn eine aktivierte Funkeinheit vom Gerät getrennt wird, so überträgt sie eine Fehlermeldung. Die Funkeinheit sollte vorher deaktiviert werden.

8.2 Rücksendung

Beim Versand des Geräts unbedingt beachten:

- Alle an WIKA gelieferten Geräte müssen frei von Gefahrstoffen (Säuren, Laugen, Lösungen, etc.) sein und sind daher vor der Rücksendung zu reinigen, siehe Kapitel 7.2 „Reinigung“.
- Zur Rücksendung des Geräts die Originalverpackung oder eine geeignete Transportverpackung verwenden.



Bei Gefahrstoffen das Sicherheitsdatenblatt für den entsprechenden Messstoff beilegen.

Um Schäden zu vermeiden:

1. Das Gerät in eine antistatische Plastikfolie einhüllen.
2. Das Gerät in der Verpackung platzieren und gleichmäßig dämmen.
3. Wenn möglich einen Beutel mit Trocknungsmittel der Verpackung beifügen.
4. Sendung als Transport eines hochempfindlichen Messgeräts kennzeichnen.



Hinweise zur Rücksendung befinden sich in der Rubrik „Service“ auf unserer lokalen Webseite (Warenrücksendeformular).

Für die Rücksendung des Geräts mit angeschlossener Funkeinheit zusätzlich die Hinweise in der Betriebsanleitung der Funkeinheit Typ NETRIS®3 beachten.

8.3 Entsorgung

Durch falsche Entsorgung können Gefahren für die Umwelt entstehen. Gerätekomponenten und Verpackungsmaterialien entsprechend den landesspezifischen Abfallbehandlungs- und Entsorgungsvorschriften umweltgerecht entsorgen.



Dieses Gerät ist entsprechend der EU-Richtlinie über die Entsorgung von Elektro- und Elektronik-Altgeräten (WEEE) gekennzeichnet. Dieses Gerät darf nicht mit dem Hausmüll entsorgt werden.

- Für eine geordnete Entsorgung nach nationalen Vorgaben sorgen und aktuell geltende Vorschriften dabei beachten.

9. Technische Daten

9. Technische Daten

9.1 Technische Daten

Genauigkeitsangaben

Genauigkeit	<ul style="list-style-type: none">■ 0,5 % der Spanne■ 0,25 % der Spanne (≤ 1.000 bar [15.000 psi])■ 0,1 % der Spanne (≤ 1.000 bar [15.000 psi]) <p>→ 0,1 % der Spanne bei $< 1,6$ bar [23 psi], relativ und bar abs. nicht möglich</p>
--------------------	--

Nullpunkteinstellung	-20 ... +95 % (begrenzt durch 0 bar absolut)
-----------------------------	--

Nichtwiederholbarkeit nach IEC 62828-2

Messbereiche ≤ 1.000 bar [15.000 psi]	$\leq 0,1$ % der Spanne
--	-------------------------

Messbereiche > 1.000 bar [15.000 psi]	$\leq 0,5$ % der Spanne
---	-------------------------

Wahrscheinlicher Gesamtfehler nach IEC 62828-2	Bemessungstemperaturbereich nach DIN 16086: -40 ... +80 °C [-104 ... +176 °F]
	Umgebungstemperaturbereich, dessen Spezifikationsgrenzen nicht überschritten werden dürfen.

Langzeitstabilität nach IEC 62828-1

Messbereiche < 1 bar [15 psi]	Max. 0,35 % der Spanne/Jahr
---------------------------------	-----------------------------

Messbereiche ≥ 1 ... $< 1,6$ bar [≥ 15 ... < 20 psi]	Max. 0,15 % der Spanne/Jahr
---	-----------------------------

Messbereiche $\geq 1,6$... ≤ 40 bar [≥ 20 ... ≤ 500 psi]	Max. 0,10 % der Spanne/Jahr
---	-----------------------------

Messbereiche > 40 bar [> 500 psi]	Max. 0,05 % der Spanne/Jahr
--	-----------------------------

Referenzbedingungen	Nach IEC 62828-1
----------------------------	------------------

DE

9. Technische Daten

Messbereiche, Relativdruck ¹⁾

bar	
0 ... 1	0 ... 60
0 ... 1,6	0 ... 100
0 ... 2,5	0 ... 160
0 ... 4	0 ... 250
0 ... 6	0 ... 400
0 ... 10	0 ... 600
0 ... 16	0 ... 1000
0 ... 25	0 ... 1600
0 ... 40	-
psi	
0 ... 15	0 ... 5.000
0 ... 30	0 ... 10.000
0 ... 100	0 ... 15.000
0 ... 500	0 ... 20.000
0 ... 1.500	-

Messbereiche, Absolutdruck

bar abs.	
0 ... 1	0 ... 10
0 ... 1,6	0 ... 16
0 ... 2,5	0 ... 25
0 ... 4	0 ... 40
0 ... 6	-
psi abs.	
0 ... 15	0 ... 150
0 ... 20	0 ... 200
0 ... 30	0 ... 300
0 ... 50	0 ... 500
0 ... 100	-
psi	
-14,5 ... +0	-14,5 ... +300
-14,5 ... +15	-

DE

1) Für Messbereiche > 600 bar [10.000 psi] steht nur der Typ PEU-20 zur Verfügung

Vakuum- und +/- Messbereiche

bar	
-0,2 ... +0,2	-1 ... +5
-1 ... 0	-1 ... +10
-1 ... +0,6	-1 ... +15
-1 ... +1,5	-1 ... +25
-1 ... +3	-1 ... +40

Weitere Messbereiche auf Anfrage.

Weitere Angaben zu: Messbereich

Einheiten

- bar
- psi
- bar abs.
- psi abs.

Maximaler Arbeitsdruck

→ Entspricht dem oberen Messbereichswert / Messbereichsendwert

14602071.03 08/2025 EN/DE/FR/ES

9. Technische Daten

Weitere Angaben zu: Messbereich

Überdruckgrenze	Die Überdruckgrenze bezieht sich auf den Messbereich. Abhängig vom gewählten Prozessanschluss und der Dichtung können sich Einschränkungen in der Überdruckgrenze ergeben. Die Verwendung des Geräts im Bereich zwischen dem oberen Messbereichswert / Messbereichsendwert und der Überdruckgrenze ist kein normaler Betrieb und darf nur kurzfristig bestehen. → Die CSA-Zertifizierung nach C22.2 Nr. 61010-1 / UL 61010-1 bewertet nur den auf dem Gerät angegebenen Bemessungsdruck gemäß der Zertifizierungsliste. Die definierte Überdruckgrenze für den kurzzeitigen Einsatz ist vom Geltungsbereich der Zertifizierung ausgenommen.
Messbereiche ≤ 40 bar [500 psi]	3-fach
Messbereiche 40 ... 1.000 bar [500 15.000 psi]	2-fach
Messbereich 1.600 bar [20.000 psi]	1,5-fach
Vakuumfestigkeit	Ja (nicht bei Sauerstoffanwendungen)

Prozessanschluss

Nach Norm	Gewindegröße	Mögliche Messbereiche
Typ PEU-20		
EN 837	G $\frac{3}{8}$ B	≤ 0 ... 1.000 bar [0 ... 15.000 psi]
	G $\frac{1}{2}$ B	≤ 0 ... 1.000 bar [0 ... 15.000 psi]
	M20 x 1,5	≤ 0 ... 1.000 bar [0 ... 15.000 psi]
ANSI / ASME B1.20.1	$\frac{1}{2}$ NPT	≤ 0 ... 1.000 bar [0 ... 15.000 psi]
	$\frac{1}{2}$ NPT, $\frac{1}{4}$ NPT Innengewinde	≤ 0 ... 1.000 bar [0 ... 15.000 psi]
	$\frac{1}{4}$ NPT	≤ 0 ... 1.000 bar [0 ... 15.000 psi]
-	M16 x 1,5, Innengewinde mit Dichtkonus	≥ 0 ... 100 bar [0 ... 1.500 psi]
	M20 x 1,5, Innengewinde mit Dichtkonus	≥ 0 ... 1.600 bar [0 ... 20.000 psi]
	9/16-18 UNF, Innengewinde F 250-C	≥ 0 ... 100 bar [0 ... 1.500 psi]

14602071.03 08/2025 EN/DE/FR/ES

9. Technische Daten

DE

Prozessanschluss		
Nach Norm	Gewindegröße	Mögliche Messbereiche
Typ PEU-21		
-	G ½ B	0 ... 6 bis 0 ... 600 bar [0 ... 100 bis 0 ... 5.000 psi]
	G 1 B	≤ 0 ... 1,6 bar [0 ... 30 psi]
	G 1 ½ B	≤ 0 ... 1,6 bar [0 ... 30 psi]
	G 1 Hygienic ^{1) 2)}	≤ 0 ... 16 bar [0 ... 100 psi]
	G 1 Hygienic mit Kühlelement ²⁾	≤ 0 ... 16 bar [0 ... 100 psi]
TRI-CLAMP®	DN 1½ mit Kühlelement für 150 °C [302 °F]	≤ 0 ... 40 bar [0 ... 500 psi]
	DN 2 mit Kühlelement für 150 °C [302 °F]	≤ 0 ... 40 bar [0 ... 500 psi]
Clamp DIN 32676	DN 40 mit Kühlelement für 150 °C [302 °F]	≤ 0 ... 40 bar [0 ... 500 psi]
	DN 50 mit Kühlelement für 150 °C [302 °F]	≤ 0 ... 40 bar [0 ... 500 psi]
Nutüberwurfmutter DIN 11851 mit Kegelstutzen	DN 25 mit Kühlelement für 150 °C [302 °F]	≤ 0 ... 40 bar [0 ... 500 psi]
	DN 40 mit Kühlelement für 150 °C [302 °F]	≤ 0 ... 25 bar [0 ... 500 psi]
	DN 50 mit Kühlelement für 150 °C [302 °F]	≤ 0 ... 25 bar [0 ... 500 psi]
NEUMO BioConnect®	DN 40 Form V mit Kühlelement für 150 °C [302 °F]	≤ 0 ... 16 bar [0 ... 500 psi]
VARINLINE®	Form N mit Kühlelement für 150 °C [302 °F], DN 40 ... 50	≤ 0 ... 16 bar [0 ... 500 psi]
	Form F mit Kühlelement für 150 °C [302 °F], DN 25	≤ 0 ... 16 bar [0 ... 500 psi]

- 1) Auch als Hochtemperatursausführung bis 150 °C [302 °F] mit erweiterter EPDM- oder FKM-Dichtung verfügbar.
 2) Passendes WIKA-Adaptersystem Typ 910.61, siehe Datenblatt AC 09.20

Details sind in der jeweiligen Anwendung separat zu prüfen. Die angegebenen Werte für die Überdruckgrenze dienen nur zur groben Orientierung. Die Werte hängen von der Temperatur, der verwendeten Dichtung, dem gewählten Drehmoment, der Art und dem Werkstoff des Gegengewindes und den vorherrschenden Einsatzbedingungen ab.

BioConnect® ist eingetragenes Warenzeichen der Firma NEUMO.

VARINLINE® ist ein eingetragener Markenname der Firma GEA Tuchenhagen GmbH.

9. Technische Daten

Digitale Schnittstelle

Signalart	Unified WIKA Interface (UWI)
Digitalsignalauflösung	< 0,01 % der Messspanne
Anschlussart	Steckverbindung für M12-Stecker NETRIS®3

Werkstoff

Werkstoffe (messstoffberührt)

PEU-20

≤ 40 bar [500 psi]	Alle Prozessanschlüsse	CrNi-Stahl 1.4404 / 316L Sensor: CrNi-Stahl 1.4404 / 316L
> 40 bar [500 psi]	Alle Prozessanschlüsse	Prozessanschluss: CrNi-Stahl 1.4404 / 316L Sensor: Elgiloy® 2.4711
> 1.000 bar [15.000 psi]	Alle Prozessanschlüsse	Prozessanschluss: CrNi-Stahl 1.4534 / 904L Sensor: CrNi-Stahl 1.4534 / 904L

PEU-21

Alle Messbereiche	Alle Prozessanschlüsse	Prozessanschluss: CrNi-Stahl 1.4435 / 316L Membrane: CrNi-Stahl 1.4435 / 316L
	<ul style="list-style-type: none"> ■ G ½ ■ G 1 	Prozessanschluss: Hastelloy® HC276 / 2.4819 Membrane: Hastelloy HC276 / 2.4819
	<ul style="list-style-type: none"> ■ G ½ ■ G 1 	Prozessanschluss: goldbeschichtet Membrane: goldbeschichtet ¹⁾
Dichtung	<ul style="list-style-type: none"> ■ NBR ■ EPDM ■ FKM 	→ Für PEU-21 G-Gewinde bis max. +105 °C [221 °F]
Oberflächenrauheit bei Hygieneanschlüssen	<ul style="list-style-type: none"> ■ Unpolierte Oberfläche $R_a \leq 0,5 \mu\text{m}$ ■ Polierte Oberfläche $R_a \leq 0,38 \mu\text{m}$ 	

Systemfüllflüssigkeit

PEU-20	Messbereich ≤ 40 bar [500 psi]	Synthetisches Öl (Halocarbonöl für Sauerstoffanwendungen)
	Messbereich > 40 bar [500 psi]	Trockene Messzelle

9. Technische Daten

Werkstoff		
PEU-21	Alle Messbereiche	<ul style="list-style-type: none"> ■ Synthetisches Öl (Halocarbonöl für Sauerstoffanwendungen) ■ NEOBEE M-20 FDA (Art.Nr. 1490451)

1) Genauigkeit 0,1 % nicht für goldbeschichtete Sensoren verfügbar.

Alle Anschlüsse sind NACE-fähig (MR0103 und MR0175). Kein NACE für Messbereiche > 1.000 bar [15.000 psi], siehe Tabelle „Prozessanschluss“.

DE

Ausführung für besondere Messstoffe		
Lebensmittel	FDA-gelistete, lebensmitteltaugliche Systemfüllflüssigkeit	
Öl- und fettfrei	Nach G93:2019 Level D (< 220 mg/m ²)	
Sauerstoff, öl- und fettfrei	<ul style="list-style-type: none"> ■ Nach G93:2019 Level D (< 220 mg/m²) ■ Partikel < 1.000 µm 	
Wasserstoff	Messbereiche	≥ 100 bar [1.450 psi]
	Werkstoff (messstoffberührt)	316L und Elgiloy (2.4711)
	Bei der Messung von Wasserstoff sollte vorzugsweise eine goldbeschichtete Membrane verwendet werden. Wenn dies technisch nicht möglich ist, ist mit einer erhöhten Langzeitdrift zu rechnen. Der Einsatz bei Drücken ≥ 1.000 bar [≥14.500 psi] ist nicht zulässig.	

Einsatzbedingungen		
Messstofftemperaturgrenze	→ Siehe Tabelle „Sicherheitstechnische Kennwerte (Ex)“	
	Sauerstoffanwendung	-20 ... +60 °C [-4 ... +140 °F]
	Wasserstoffanwendung	Max. 30 °C [86 °F]
Messstofftemperaturgrenze durch Dichtungswerkstoff (nur für Typ PEU-21)		
NBR	-20 ... +105 °C [-4 ... +221 °F]	
FKM	-20 ... +105 °C [-4 ... +221 °F]	
FKM	-20 ... +150 °C [-4 ... +302 °F] ²⁾	
EPDM	-40 ... +105 °C [-40 ... +221 °F]	
EPDM	-40 ... +150 °C [-40 ... +302 °F] ²⁾	
Umgebungstemperaturgrenze	-40 ... +80 °C [-40 ... +176 °F] ¹⁾	
Lagertemperaturgrenze	-40 ... +80 °C [-40 ... +176 °F]	
Feuchte nach IEC 62828-1	50 ... 70 % relative Feuchte (keine Betauung)	

14602071.03 08/2025 EN/DE/FR/ES

9. Technische Daten

Einsatzbedingungen	
Schutzart nach IEC 60529 (vom Hersteller deklariert)	IP66/67
	Die Schutzart gilt nur bei korrekter Steckverbindung mit Typ NETRIS®3
Gehäuse-Ratin nach CSA C22.2 No 94.2 und UL50E	Typ 4
Überspannungskategorie	I
Verschmutzungsgrad	4
Höhenlage im Betrieb	2.000 m [6.562 ft] über N. N.
Schwingungsbeständigkeit nach DNVGL-CG-0339	
Für Geräte ohne Kühlelement	4g (5 ... 100 Hz)
Für Geräte mit Kühlelement	0,7g (5...100 Hz)
Schockfestigkeit nach EN 60068-2-27	
Für Geräte ohne Kühlelement	100g [6 ms]
Für Geräte mit Kühlelement	50g [6 ms]
Für Geräte mit Messbereich 1.000 bar [15.000 psi]	20g [6 ms]
Einbaulage	Stehend, Membrane zeigt nach unten

1) Gerät mit Winkelstecker oder Rundstecker: -30 ... +80 °C [-22 ... +176 °F]

2) Prozessanschluss mit Kühlelement

9. Technische Daten

9.2 Zulassungen

Logo	Beschreibung	Region
	EU-Konformitätserklärung	Europäische Union
	ATEX-Richtlinie Explosionsgefährdete Bereiche	
	- Ex i Zone 0 Gas II 1G Ex ia IIC T4 ... T1 Ga	
	- Ex i Zone 1 Anbau an Zone 0 Gas II 1/2G Ex ia IIC T4 ... T1 Ga/Gb	
	- Ex i Zone 1 Gas II 2G Ex ia IIC T4 ... T1 Gb	
- Ex i Zone 20 Staub II 1D Ex ia IIC T135°C Da		
- Ex i Zone 21 Anbau an Zone 20 Staub II 1/2D Ex ia IIC T135 °C Da/Db		
- Ex i Zone 21 Staub II 2D Ex ia IIC T135°C Db		
	EMV-Richtlinie EN 61326 Emission (Gruppe 1, Klasse B) und Störfestigkeit (industrieller Bereich)	
	Druckgeräterichtlinie (druckhaltendes Ausrüstungsteil, Modul A)	
	RoHS-Richtlinie	
	IECEx Explosionsgefährdete Bereiche	International
- Ex i Zone 0 Gas Ex ia IIC T4 ... T1 Ga		
- Ex i Zone 1 Anbau an Zone 0 Gas Ex ia IIC T4 ... T1 Ga/Gb		
- Ex i Zone 1 Gas Ex ia IIC T4 ... T1 Gb		
- Ex i Zone 20 Staub Ex ia IIC T135°C Da		
- Ex i Zone 21 Anbau an Zone 20 Staub Ex ia IIC T135 °C Da/Db		
- Ex i Zone 21 Staub Ex ia IIC T135°C Db		
	EHEDG Hygienic Equipment Design (nur für PEU-21)	Europäische Union

DE

Herstellereklärung

Logo	Beschreibung
-	Herstellereklärung zur EU-Verordnung 1935/2004 EG
-	Herstellereklärung GB 4806.1-2016 China National Food Safety Standard – Gute Herstellungspraxis GB 31603-2015 (GMP)

14602071.03 08/2025 EN/DE/FR/ES

9. Technische Daten

Zertifikate/Zeugnisse

Beschreibung	
Zeugnisse	<ul style="list-style-type: none"> ■ Ohne ■ 2.2-Werkszeugnis nach EN 10204 (z. B. Fertigung nach Stand der Technik, Werkstoffnachweis, Messgenauigkeit) ■ 3.1-Abnahmeprüfzeugnis nach EN 10204 (z. B. Werkstoffnachweis messstoffberührte metallische Teile)
Kalibrierung	<ul style="list-style-type: none"> ■ Ohne ■ 3.1-Abnahmeprüfzeugnis nach EN 10204 (Werkskalibrierung) ■ DAkKS-Kalibrierzertifikat (rückführbar und akkreditiert nach ISO/IEC 17025)
Empfohlenes Kalibrierintervall	1 Jahr (abhängig von den Nutzungsbedingungen)

→ Zulassungen und Zertifikate siehe Webseite

Sicherheitstechnische Kennwerte (Ex)

Sicherheitstechnische Kennwerte (Ex)	
Elektrische Kenngrößen der eigensicheren Spannungsversorgung	
Max. Eingangsspannung U_i	DC 6,7 V
Max. Eingangsstrom für Gasanwendungen I_i	250 mA
Max. Eingangsleistung P_i	300 mW
Wirksame innere Kapazität C_i	4,4 nF
Wirksame innere Induktivität L_i	Vernachlässigbar
Max. Ausgangsspannung U_o ¹⁾	DC 6,7 V
Max. Ausgangsstrom I_o ¹⁾	400 mA
Temperaturbereich	→ Gilt für Temperaturklassen T4 ... T1 und max. Oberflächentemperatur T135 für Staub Ex-Atmosphäre
Umgebungstemperatur	-40 ... +80 °C [-40 ... +176 °F]
Messstofftemperatur ²⁾	-40 ... +80 °C [-40 ... +176 °F] → Bei erhöhten Messstofftemperaturen siehe Tabelle „Weitere Angaben zu: Sicherheitstechnische Kennwerte (Ex)“

1) Kurzzeitig aufgrund Kondensatorenentladung, Zeitkonstante $5 \times T < 25$ ms

2) Messstofftemperaturen sind abhängig vom Prozessanschluss, der Dichtung und der Kennwerte für den Explosionsschutz. Messstofftemperaturen über 80 °C sind nur mit frontbündigen Prozessanschlüssen möglich.

Typ PEU-2x ist für die Verwendung mit der eigensicheren, batteriebetriebenen Funkeinheit Typ NETRIS®3 der Zündschutzart „ia“ vorgesehen.

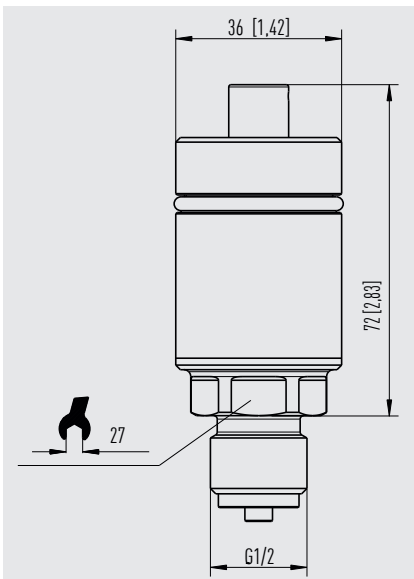
9. Technische Daten

Weitere Angaben zu: Sicherheitstechnische Kennwerte (Ex)

Temperaturklasse	Max. Messstofftemperatur	Umgebungstemperatur
Ohne Kühlelement		
T4	120 °C [248 °F]	$-40 \leq T_a \leq +30 \text{ °C}$ [$-40 \leq T_a \leq +86 \text{ °F}$]
T4	105 °C [221 °F]	$-40 \leq T_a \leq +40 \text{ °C}$ [$-40 \leq T_a \leq +104 \text{ °F}$]
T4	85 °C [185 °F]	$-40 \leq T_a \leq +80 \text{ °C}$ [$-40 \leq T_a \leq +176 \text{ °F}$]
Mit Kühlelement		
T3	150 °C [302 °F]	$-40 \leq T_a \leq +40 \text{ °C}$ [$-40 \leq T_a \leq +104 \text{ °F}$]
T4	120 °C [248 °F]	$-40 \leq T_a \leq +50 \text{ °C}$ [$-40 \leq T_a \leq +122 \text{ °F}$]
T4	105 °C [221 °F]	$-40 \leq T_a \leq +50 \text{ °C}$ [$-40 \leq T_a \leq +122 \text{ °F}$]
T4	85 °C [185 °F]	$-40 \leq T_a \leq +80 \text{ °C}$ [$-40 \leq T_a \leq +176 \text{ °F}$]

DE

9.3 Abmessungen in mm [in]

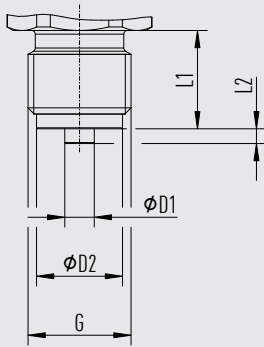


14602071.03 08/2025 EN/DE/FR/ES

9. Technische Daten

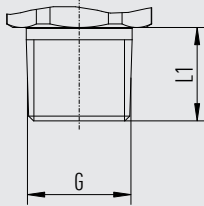
Prozessanschlüsse für Typ PEU-20

EN 837



G	L1	L2	D1	D2
G 3/8 B	16 [0,63]	3 [0,12]	5,5 [0,22]	13 [0,512]
G 1/2 B	20 [0,79]	3 [0,12]	6 [0,24]	17,5 [0,689]
M20 x 1,5	20 [0,79]	3 [0,12]	6 [0,24]	17,5 [0,689]

ANSI/ASME B1.20.1

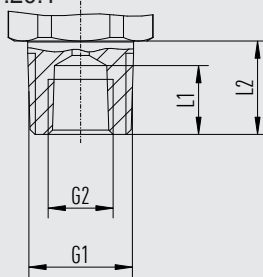


G	L1
1/4 NPT	13 [0,51]
1/2 NPT	19 [0,75]

9. Technische Daten

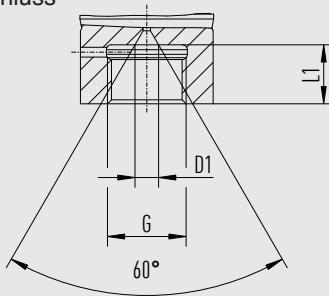
DE

ANSI/ASME B1.20.1



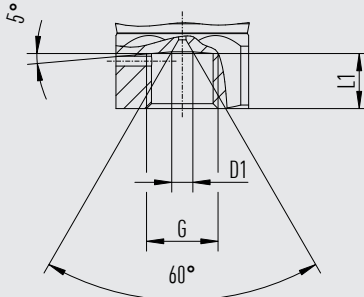
G1	G2	L1	L2
½ NPT, außen	¼ NPT, innen	14 [0,55]	19 [0,75]

Hochdruckanschluss



G	L1	D1
M16 x 1,5 innen	12 [0,47]	4,8 [0,19]
M20 x 1,5 innen	15 [0,59]	4,8 [0,19]

Hochdruckanschluss

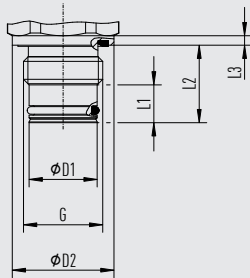


G	L1	D1
9/16-18 UNF innen F 250-C	11,2 [0,44]	4,3 [0,17]

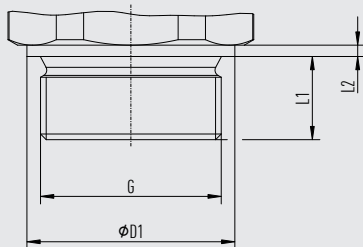
1.4602071.03 08/2025 EN/DE/FR/ES

9. Technische Daten

Prozessanschlüsse für Typ PEU-21



G	L1	L2	L3	D1	D2
G ½ B	10 [0,39]	20,5 [0,807]	3 [0,12]	18 [0,71]	26,9 [1,059]
G 1 B	9 [0,35]	25 [0,98]	2,5 [0,098]	30 [1,18]	40 [1,595]

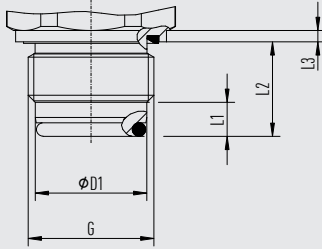


G	L1	L2	D1
G 1 ½ B	22 [0,87]	3 [0,12]	55 [2,17]

9. Technische Daten

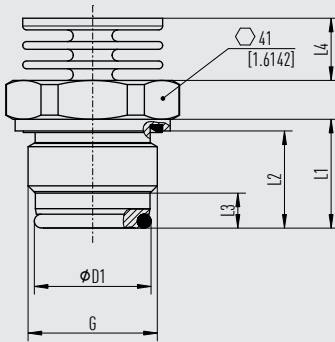
DE

Hygienic



G	L1	L2	L3	D1
G 1	9 [0,35]	25 [0,98]	3 [0,12]	29,5 [1,16]

Hygienic



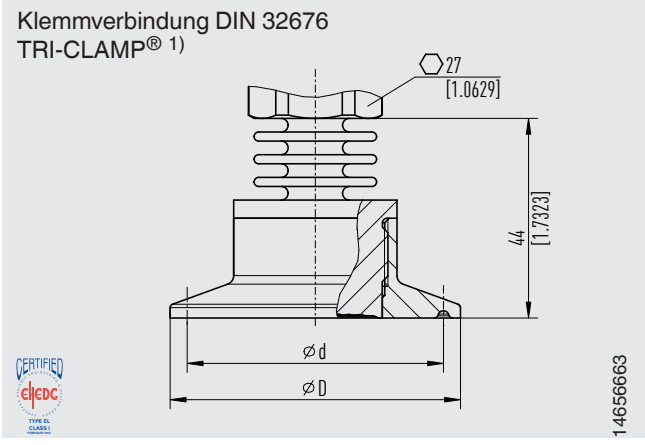
G	L1	L2	L3	L4	D1
G 1	28 [1,10]	25 [0,98]	9 [0,35]	15,5 [0,61]	29,5 [1,161]

14602071.03 08/2025 EN/DE/FR/ES

9. Technische Daten

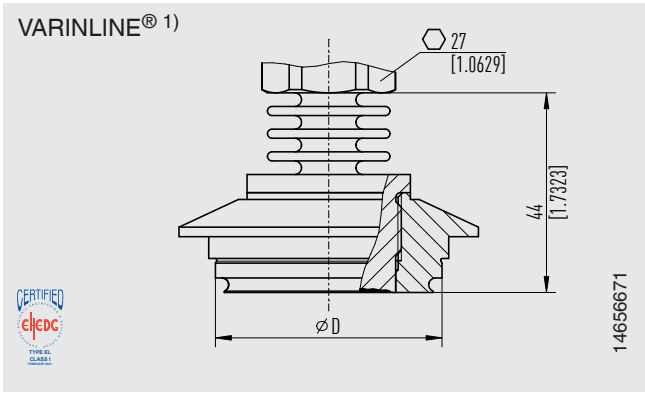
Hygieneanschlüsse für Lebensmittel-, Pharmaindustrie und sterile Verfahrenstechnik

DE



DN	ØD	Ød
DN 1 ½	50,5 [1,99]	43,5 [1,71]
DN 2	64 [2,52]	56,6 [2,23]
DN 40	50,5 [1,99]	43,5 [1,71]
DN 50	64 [2,52]	56,6 [2,23]

1) Prozessanschlüsse nach ASME BPE



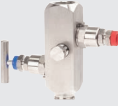


Form	ØD
Form F	50 [1,97]
Form N	68 [2,68]

14602071.03 08/2025 EN/DE/FR/ES

10. Zubehör und Ersatzteile

10. Zubehör und Ersatzteile

	Typ	Beschreibung	Bestellnummer
	NETRIS®3	Funkeinheit mit LoRaWAN® für WIKA-Messgeräte Für Anwendungen in explosionsgefährdeten Bereichen → Siehe Datenblatt AC 40.03	-
	-	Einschweißstutzen für Prozessanschluss G ½ frontbündig	1192299
		Einschweißstutzen für Prozessanschluss G 1 frontbündig	1192264
		Einschweißstutzen für Prozessanschluss G 1 ½ frontbündig	2158982
		Einschweißstutzen für Prozessanschluss G 1 Hygienic frontbündig	14070973
	IV20, IV21	Block-and-Bleed-Ventil → Siehe Datenblatt AC 09.19	-

WIKA-Zubehör finden Sie online unter www.wika.de.

Sommaire

1. Généralités	85
1.1 Abréviations, définitions	86
1.2 Explication des symboles	86
2. Sécurité	87
2.1 Utilisation conforme à l'usage prévu	87
2.2 Utilisation inappropriée	88
2.3 Qualification du personnel	88
2.4 Etiquetage, marquages de sécurité	89
2.5 Marquage Ex	90
2.6 Conditions spécifiques d'utilisation (conditions X)	91
2.7 Note sur la sécurité intrinsèque	91
2.8 Accord avec la conformité EHEDG	91
2.9 Description de la sécurité de l'alimentation électrique	92
3. Transport, emballage et stockage	93
3.1 Transport.	93
3.2 Emballage et stockage	93
4. Conception et fonction	95
4.1 Vue générale	95
4.2 Description	95
4.3 Détail de la livraison	96
4.4 Passeport du produit.	96
5. Mise en service et utilisation	97
5.1 Exigences relatives au point de mesure	98
5.2 Montage mécanique	98
5.3 Raccordement électrique, sortie numérique	99
5.4 Unité radio	99
6. Dysfonctionnements	100
7. Entretien, nettoyage et étalonnage	102
7.1 Entretien	102
7.2 Nettoyage	102
7.3 Etalonnage	103
8. Démontage, retour et mise au rebut	104
8.1 Démontage	104
8.2 Retour.	105
8.3 Mise au rebut	105

9. Spécifications	106
9.1 Spécifications	106
9.2 Agréments	113
9.3 Dimensions en mm [po].	115
10. Accessoires et pièces de rechange	122
Annex: EU- and EU declaration of conformity	163
Annex: Control drawing type PEU-2*	164

→ Déclarations de conformité, voir www.wika.fr.

1. Généralités

Documentation supplémentaire :

- ▶ Prière de se conformer à toute la documentation incluse dans le détail de la livraison.



Avant la mise en service de l'instrument, il convient également de respecter le mode d'emploi de l'unité radio de type NETRIS[®]3, numéro d'article 14521664.

1. Généralités

FR

- L'instrument décrit dans le mode d'emploi est conçu et fabriqué selon les dernières technologies. Tous les composants sont soumis à des critères de qualité et de respect de l'environnement stricts durant la fabrication. Nos systèmes de management sont certifiés selon les normes ISO 9001 et ISO 14001.
- Ce mode d'emploi donne des indications importantes concernant l'utilisation de l'instrument. Il est possible de travailler en toute sécurité avec ce produit en respectant toutes les consignes de sécurité et d'utilisation.
- Respecter les prescriptions locales de prévention contre les accidents et les règles générales de sécurité pour le domaine d'application de l'instrument.
- Le mode d'emploi fait partie de l'instrument ; il doit être conservé à proximité immédiate de celui-ci et accessible à tout moment pour le personnel qualifié. Confier le mode d'emploi à l'utilisateur ou propriétaire ultérieur de l'instrument.
- Le personnel qualifié doit, avant de commencer toute opération, avoir lu soigneusement et compris le mode d'emploi.
- En cas d'interprétation différente de la version traduite du mode d'emploi et de la version anglaise, c'est la version anglaise qui prévaut.
- Dans ce document, le masculin générique est utilisé à des fins de lisibilité. Les identités féminines et les autres identités de genre sont explicitement incluses.
- Le cas échéant, la documentation fournie par le fournisseur est également considérée comme faisant partie du produit, en plus du présent mode d'emploi.
- Les conditions générales de vente mentionnées dans les documents de vente s'appliquent.
- Sous réserve de modifications techniques.
- Les étalonnages d'usine et les étalonnages DAkkS (équivalents COFRAC) sont effectués conformément aux normes internationales.
- Pour obtenir d'autres informations :
 - Site Internet : www.wika.fr / www.wika.com
 - Fiche technique correspondante : PE 87.24
 - Documentation complémentaire : "Documentation complémentaire" pour le protocole de communication LoRaWAN[®], types PEU-20 et PEU-21

1. Généralités

- Informations techniques : IN 00.14 Trous taraudés pour les raccords process
IN 00.50 Montage électrique
- Contact : Tél : 0 820 95 10 10
info@wika.fr

1.1 Abréviations, définitions

- Puce
- ▶ Instruction
- 1. ... x. Suivre les instructions étape par étape
- Voir ... renvois
- UWI Interface WIKA unifiée

FR

1.2 Explication des symboles



AVERTISSEMENT !

... indique une situation présentant des risques susceptibles de provoquer la mort ou des blessures graves si elle n'est pas évitée.



ATTENTION !

... indique une situation potentiellement dangereuse et susceptible de provoquer de légères blessures ou des dommages matériels et pour l'environnement si elle n'est pas évitée.



DANGER !

... indique une situation potentiellement dangereuse dans des zones explosives et susceptible de provoquer la mort ou des blessures graves si elle n'est pas évitée.



AVERTISSEMENT !

... indique une situation présentant des risques susceptibles de provoquer des brûlures dues à des surfaces ou liquides chauds si elle n'est pas évitée.



Information

... met en exergue des conseils et recommandations utiles de même que des informations permettant d'assurer un fonctionnement efficace et normal.

2. Sécurité

2.1 Utilisation conforme à l'usage prévu

Le type PEU-2x est un transmetteur de pression utilisé pour mesurer une valeur de pression ; il est homologué uniquement pour l'utilisation avec l'unité radio de type NETRIS®3. Tout autre usage est impossible.

Le type PEU-2x convient pour la mesure de pression de liquides et de gaz dans toutes les applications qui sont en conformité avec les spécifications techniques. L'utilisation avec des fluides très chauds, très froids ou agressifs nécessite l'installation de séparateurs et d'éléments de refroidissement. Une application typique est la surveillance des niveaux de carburant dans des endroits éloignés avec transmission sans fil des valeurs mesurées vers un cloud.

Les types PEU-20 et PEU-21 sont adaptés à une utilisation en zone explosive.

Le démontage des composants de l'instrument n'est pas autorisé. Ne pas utiliser le transmetteur de pression s'il est endommagé.

Avant l'utilisation, vérifier s'il n'y a pas de défauts visibles.

Si l'appareil est utilisé d'une manière non spécifiée par le fabricant, la protection offerte par l'appareil peut être compromise.

La mesure de la température de l'instrument augmente la précision de la mesure de pression (compensation de température) et ne peut pas être utilisée pour déterminer la température du process.

L'instrument est conçu et exécuté exclusivement pour une utilisation conforme à l'usage prévu décrit ici et ne doit être utilisé qu'en conséquence.

Les spécifications techniques de ce mode d'emploi (voir 9 "Specifications") et le mode d'emploi de l'unité radio de type NETRIS®3 doivent être respectés. Il est présumé que l'instrument est manipulé correctement et dans le respect de ses spécifications techniques. Dans le cas contraire, l'instrument doit être immédiatement mis hors service et inspecté par un technicien WIKA agréé.

Installation

Pour les limites d'installation, il convient de respecter les spécifications de l'unité radio et les spécifications du type PEU-2x. La plage de température ambiante admissible de l'installation est déterminée par l'instrument avec la plage de température la plus basse.

Manipuler les instruments de mesure de précision électronique avec le soin requis (protéger l'instrument contre l'humidité, les chocs, les forts champs magnétiques, l'électricité statique et les températures extrêmes, n'introduire aucun objet dans l'instrument ou ses ouvertures). Il est impératif de protéger les connecteurs mâles et femelles contre les salissures.

2. Sécurité



La surveillance à distance de la pression du process via la transmission sans fil n'est adaptée qu'aux applications non critiques et sans incidence sur la sécurité.

La fonction de surveillance à distance ne doit pas être utilisée à des fins de contrôle, car il n'est pas possible de garantir que les paquets de données ne seront pas perdus pendant la transmission sans fil.

Classification selon la directive européenne relative aux équipements sous pression

- Type d'instrument : accessoire de pression sans fonction de sécurité
- Fluides : liquides ou gazeux, groupe 1 (dangereux)
- Pression maximale admissible PS, voir chapitre 2.4 "Etiquetage, marquages de sécurité"
- Volume des pièces en contact avec le fluide : < 1 l

L'utilisateur final de l'instrument doit évaluer si un numéro d'enregistrement canadien (CRN, Canadian Registration Number) est requis pour son application spécifique au Canada.

Les restrictions et limitations associées au CRN doivent être prises en compte.

Aucune réclamation auprès du fabricant ne peut être recevable en cas d'utilisation non conforme à l'usage prévu.

2.2 Utilisation inappropriée

- Toute utilisation différente ou au-delà de l'utilisation prévue est considérée comme inappropriée.
- S'abstenir de toutes modifications non autorisées sur l'instrument.
- Ne pas utiliser dans des dispositifs de sécurité ou d'arrêt d'urgence.
- Ne pas utiliser avec des fluides abrasifs et visqueux.



Les impacts externes peuvent générer des étincelles par des processus de friction entre les différents matériaux.

Atmosphère explosive composée de mélanges hybrides

Les instruments ne doivent pas être utilisés dans des zones où une atmosphère composée de mélanges hybrides explosifs (poussières mélangées avec des gaz) peut se produire.

Manipulation de matériaux

Eviter d'exposer l'instrument à toute substance ou des conditions ambiantes pouvant affecter négativement l'instrument et les matériaux utilisés. Eviter de manipuler des substances qui ont tendance à une combustion spontanée. Pour une liste des matériaux, voir chapitre 9 "Spécifications".

2. Sécurité

2.3 Qualification du personnel



Les opérations décrites dans ce mode d'emploi ne doivent être effectuées que par un personnel ayant la qualification décrite ci-après.

Personnel qualifié

Le personnel qualifié, autorisé par l'opérateur, est, en raison de sa formation spécialisée, de ses connaissances dans le domaine de l'instrumentation de mesure et de régulation et de son expérience, de même que de sa connaissance des réglementations nationales et des normes en vigueur, en mesure d'effectuer les travaux décrits et d'identifier de façon autonome les dangers potentiels.

Connaissance spécifique pour l'utilisation des instruments en zone explosive :

Le personnel qualifié doit avoir les connaissances requises des types de protection contre l'ignition, des réglementations et dispositions concernant les équipements en zones explosives.

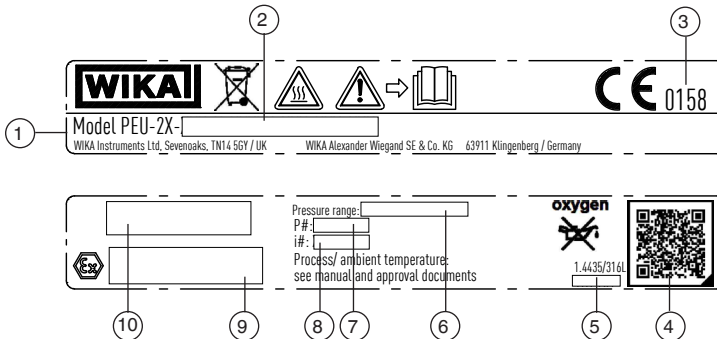
Les conditions d'utilisation spéciales exigent également une connaissance adéquate, par ex. des liquides agressifs.

2.4 Etiquetage, marquages de sécurité

La lisibilité de l'étiquetage et des marquages de sécurité doit être préservée.

Plaque signalétique (exemple)

Pour plus de spécifications, voir le chapitre 9 "Spécifications".



- 1 Désignation du type
- 2 Codes de la commande
- 3 Marquage de conformité + numéro d'identification de l'organisme notifié ou agréé
- 4 Code QR vers le lien d'identification
- 5 Date de fabrication (AAAA-MM)

2. Sécurité

- ⑥ Pression maximale admissible en bar à température ambiante
- ⑦ Numéro d'article
- ⑧ Numéro de série intelligent
- ⑨ Marquage Ex
- ⑩ Autres agréments

Symboles



Lire impérativement le mode d'emploi avant le montage et la mise en service de l'instrument.



Ne pas mettre au rebut avec les ordures ménagères. Assurer une mise au rebut correcte en conformité avec les réglementations nationales.



Lien d'identification selon CEI 61406-1 pour le passeport du produit
→ Pour obtenir plus d'informations, voir chapitre 4.4 "Passeport du produit".

oxygen



Version spéciale
L'instrument est exempt d'huile et de graisse et convient aux applications d'oxygène.



Avertissement concernant la surface chaude

2.5 Marquage Ex



DANGER !

Danger d'explosion vital

Le non respect de ces instructions peut entraîner une perte de la protection contre les explosions.

- ▶ Effectuer l'installation et la mise en service de l'instrument conformément aux spécifications du fabricant.
- ▶ Respecter les consignes de sécurité de ce chapitre et les autres instructions liées à la protection contre les explosions contenues dans ce mode d'emploi.
- ▶ Respecter les indications de l'attestation d'examen de type valable ainsi que les prescriptions nationales applicables concernant le montage et l'utilisation en zone explosive (par exemple CEI 60079-14, NEC, CEC).

Contrôler que la classification est adaptée à l'application. Observer les réglementations nationales concernées.

ATEX
II 1G Ex ia IIC T4 ... T1 Ga
II 1/2G Ex ia IIC T4 ... T1 Ga/Gb
II 2G Ex ia IIC T4 ... T1 Gb
II 1D Ex ia IIC T135°C Da
II 1/2D Ex ia IIC T135 °C Da/Db
II 2D Ex ia IIC T135°C Db

IECEx
Ex ia IIC T4 ... T1 Ga
Ex ia IIC T4 ... T1 Ga/Gb
Ex ia IIC T4 ... T1 Gb
Ex ia IIC T135°C Da
Ex ia IIC T135 °C Da/Db
Ex ia IIC T4 ... T1 Gb

2.6 Conditions spécifiques d'utilisation (conditions X)

- La plage de température ambiante dépend de la classe de température.
- La paroi de séparation (élément à membrane) qui sépare de la zone en contact avec le fluide a une épaisseur < 0,2 mm [0,008 po] pour des raisons fonctionnelles. Dans l'application, il convient de s'assurer que l'on exclut toute détérioration de la paroi de séparation, par exemple en raison de fluides agressifs ou de risques mécaniques.
- Dans les zones explosives gazeuses, l'appareil doit être installé de manière à exclure les charges électrostatiques et les process de décharge.
- Dans les zones explosives poussiéreuses avec des poussières conductrices du groupe IIIC, le circuit à sécurité intrinsèque n'est pas séparé de manière sûre des pièces métalliques mises à la terre / potentiellement mises à la terre. Le long du circuit à sécurité intrinsèque, une liaison équipotentielle doit être présente.

2. Sécurité

2.7 Note sur la sécurité intrinsèque



DANGER !

Danger vital dû à la perte de la protection contre les explosions

Respecter également le marquage Ex de l'unité radio raccordée.

- ▶ Utiliser uniquement l'unité radio certifiée.

Une vérification séparée de la sécurité intrinsèque n'est pas requise si les instruments sont raccordés à l'unité radio. L'unité radio est munie d'une interface en sécurité intrinsèque, qui assure la transmission sécurisée des données de mesure.

Seule l'unité radio certifiée NETRIS[®]3 est homologuée pour le raccordement au transmetteur de pression de type PEU-2x. Aucune autre unité radio ne peut être utilisée pour un montage.

→ Pour une description détaillée de l'instrument certifié fonctionnant sur batterie, voir le mode d'emploi du type NETRIS[®]3, numéro d'article 14521664.

2.8 Accord avec la conformité EHEDG

Pour une connexion conforme EHEDG, il faut utiliser des joints d'étanchéité en accord avec le document de stratégie EHEDG actuel. Les joints d'étanchéité pour des connexions selon DIN 32676 et BS 4825 partie 3 sont, par exemple, fabriqués par Combifit International B.V.

Les deux exécutions de boîtier possibles répondent aux critères des agréments EHEDG et sont homologuées pour l'industrie hygiénique conformément aux normes appropriées.

La conformité n'est donnée que pour les versions certifiées qui sont marquées du logo EHEDG dans la fiche technique. Les transmetteurs de pression conformes EHEDG avec raccord à membrane affleurante sont marqués en tant que type PEU-21 sur la plaque signalétique.

→ Pour plus d'informations, voir fiche technique PE 87.24.

2.9 Description de la sécurité de l'alimentation électrique

Le connecteur M12 vers l'unité radio ne peut être branché et retiré qu'en l'absence de tension.

Indice de protection selon EN 60529 (déclaré par le fabricant)	IP66/67
Humidité	50 .. 70 % d'humidité relative (sans condensation)
Degré de pollution	4
Catégorie de surtension	I
Altitude de fonctionnement	2.000 m [6.562 pi] au-dessus du niveau de la mer.

3. Transport, emballage et stockage

3.1 Transport



ATTENTION !

Dommages liés à un transport inapproprié

Des dommages aux équipements liés à un transport inapproprié peuvent se produire.

- ▶ Lors du déchargement des colis à la livraison comme lors du transport des colis en interne après réception, il faut procéder avec soin et observer les consignes liées aux symboles figurant sur les emballages.
- ▶ Lors du transport en interne, observer les instructions contenues dans 3.2 "Emballage et stockage".
- ▶ Une fois que l'instrument a été installé, ne pas le transporter par l'unité radio.

FR

Vérifier que l'instrument n'est pas endommagé.

En cas de dommages, ne pas mettre l'instrument en service et contacter immédiatement le fabricant.

Si l'instrument est transporté d'un environnement froid vers un environnement chaud, la formation de condensation peut provoquer un dysfonctionnement de l'instrument. Avant la remise en service, attendre que la température de l'instrument et la température ambiante s'équilibrent.

3.2 Emballage et stockage

Ne pas retirer l'emballage et les autres éléments de protection (par exemple un capuchon de protection) juste avant l'installation.

Conserver l'emballage afin d'assurer une protection optimale pendant le transport (par exemple, changement de lieu d'utilisation, envoi en réparation).

Conditions admissibles sur le lieu de stockage :

- Température de stockage : -40 ... +80 °C [-40 ... +176 °F]
- Humidité : 45 ... 75 % d'humidité relative (sans condensation)

Eviter les influences suivantes :

- Lumière solaire directe ou proximité d'objets chauds
- Vibrations mécaniques, chocs mécaniques (mouvements brusques en le posant)
- Suie, vapeur et gaz corrosifs

3. Transport, emballage et stockage

Conserver l'instrument dans l'emballage original dans un endroit qui satisfait aux conditions susmentionnées. Les instruments qui ont déjà été mis en service doivent être nettoyés avant d'être stockés, voir 7.2 "Nettoyage".

Si l'emballage d'origine n'est pas disponible, emballer et stocker l'instrument comme suit :

1. Emballer l'instrument dans un film plastique antistatique. (pour les instruments comportant des composants électriques)
2. Placer l'instrument avec le matériau isolant dans l'emballage.
3. En cas d'entreposage pendant une longue période (plus de 30 jours), placer également un sachet absorbant d'humidité dans l'emballage.

FR



Stockage provisoire après installation

Pour protéger la batterie lors du stockage d'une unité radio déjà activée pendant une période prolongée, cette dernière peut être à nouveau désactivée.

4. Conception et fonction

4.1 Vue générale



- ① Connexion pour connecteur NETRIS®3 M12 x 1
- ② Joint d'étanchéité
- ③ Boîtier; plaque signalétique
- ④ Raccord process, six pans
- ⑤ Raccord process, filetage

4.2 Description

Grâce à sa structure modulaire, le transmetteur de pression de type PEU-2x est conçu pour fonctionner avec l'unité radio de type NETRIS®3. La pression de référence est mesurée sur l'élément capteur par la déformation d'une membrane. En alimentant la tension d'alimentation par batterie par l'unité radio de type NETRIS®3, cette déformation de l'élément à membrane est convertie en un signal électrique. La sortie de signal par le transmetteur de pression est transmise à l'unité radio de type NETRIS®3 via l'interface WIKA unifiée (UWI).

L'unité radio assure la tension d'alimentation à sécurité intrinsèque du transmetteur de pression PEU-2x et la transmission des données mesurées basées sur la technologie LPWAN ("Low Power Wide Area Network"). Les intervalles de mesure et de transmission, ainsi que les seuils d'alarme pour des valeurs mesurées particulières, peuvent être configurés à partir de la plateforme IIoT.

→ Pour plus de détails sur la configuration de l'alarme, voir "Documentation complémentaire de la spécification de communication LoRaWAN®", type PEU-2x.

4. Conception et fonction

4.3 Détail de la livraison

- Instrument
 - Mode d'emploi
 - Capuchon de protection avec filetage
 - Capuchon de protection pour connecteur enfichable
- Comparer le détail de la livraison avec le bordereau de livraison.

4.4 Passeport du produit

Il existe trois façons d'accéder au passeport du produit spécifique à l'instrument.

- Via le code QR sur la plaque signalétique
- Via la page des détails du produit de l'instrument
- Via le lien figurant dans le mode d'emploi

FR

Le passeport du produit se trouve sur la page produit ou directement sur l'application web correspondante.



<https://productpass.wika.com/>

Les éléments suivants sont fournis :

- Informations les plus importantes sur le produit, telles que l'étendue de mesure, la précision, le raccord process, la date de fabrication, etc.
- Certificats d'étalonnage, certificats et relevés de contrôle/enregistrements
- Documentation, telle que la fiche technique et le mode d'emploi

Depuis cette vue, les informations requises peuvent être imprimées ou envoyées par courrier électronique.

Un lien direct vers la boutique en ligne permet de commander plus facilement des accessoires complémentaires adaptés à l'instrument.

5. Mise en service et utilisation

Personnel : personnel qualifié

Outils : clé dynamométrique



DANGER !

Danger d'explosion vital

Risque d'explosion pouvant entraîner la mort en cas de travail en atmosphère inflammable.

- ▶ Réaliser les travaux d'installation uniquement dans des environnements non explosifs.



AVERTISSEMENT !

Blessures physiques et dommages aux équipements et à l'environnement liés aux fluides dangereux

Lors du contact avec un fluide dangereux (par exemple oxygène, acétylène, substances inflammables ou toxiques) et un fluide nocif (par exemple corrosif, toxique, cancérigène, radioactif), il y a un danger de blessures physiques et de dommages aux équipements et à l'environnement.

En cas de défaillance, des fluides dangereux sous pression élevée ou sous vide peuvent être présents au niveau de l'instrument.

- ▶ Pour ces fluides, les codes et directives appropriés existants doivent être observés en plus des réglementations standard.



Les matériaux utilisés ne peuvent pas résister aux températures en cas d'incendie extérieur. Pour les exigences spéciales de protection contre l'incendie, des mesures appropriées doivent être prises par l'opérateur.

Après une exposition au vent ou à des tremblements de terre, l'instrument doit être contrôlé pour vérifier qu'il n'est pas endommagé (par exemple fissures, dommages aux cordons de soudure, fuite de liquide). Le fonctionnement doit être assuré par un test de fonctionnement.

Utiliser uniquement des pièces d'origine, voir 9 "Spécifications".

Vérifier que l'instrument n'est pas endommagé.

En cas de dommages, ne pas mettre l'instrument en service et contacter immédiatement le fabricant.

5. Mise en service et utilisation

5.1 Exigences relatives au point de mesure

Le point de mesure doit satisfaire aux conditions suivantes :

- Les surfaces d'étanchéité de l'instrument et du point de mesure doivent toujours être propres.
- Retirer les capuchons de protection, les feuilles Mylar et/ou les feuilles de protection juste avant l'installation.
- Les températures ambiantes admissibles demeurent dans les limites de performance de l'instrument de mesure. Prendre en compte les restrictions possibles concernant la plage de température ambiante liées aux contre-connecteurs utilisés.

5.2 Montage mécanique

FR



DANGER !

Danger mortel dû à des éléments à membrane endommagés

Tout dommage à l'élément à membrane au niveau du raccord à membrane affleurante rend la protection contre les explosions nulle et non avenue. Des explosions peuvent se produire.

- ▶ Avant la mise en service, l'instrument doit être soumis à un contrôle visuel. L'existence d'une fuite de liquide indique des dommages.
- ▶ Protéger l'élément à membrane contre les chocs et le contact avec des fluides abrasifs.



ATTENTION !

Dommages à l'instrument

Pour éviter d'endommager l'instrument, il convient de respecter les points suivants :

- ▶ L'instrument ne doit pas être soumis à une quelconque contrainte mécanique (par exemple être utilisé comme aide pour grimper, comme support pour des objets).
- ▶ Vérifier que les raccords filetés et les surfaces d'étanchéité sont propres et intacts.
- ▶ Utiliser des joints d'étanchéité et des clés adéquats.
- ▶ Installer l'instrument de manière à exclure les charges électrostatiques inhérentes au process (par exemple causées par des fluides qui coulent) puissent être exclues.
- ▶ Les broches de connecteur ne doivent pas entrer en contact avec l'humidité.



Le couple de serrage dépend du raccord process, du matériau et du joint d'étanchéité.

Avant le montage, la mise en service et le fonctionnement, vérifier les points suivants :

1. Avant la mise en service, l'instrument doit être soumis à un contrôle visuel.
L'existence d'une fuite de liquide indique des dommages.

5. Mise en service et utilisation

2. Sélectionner l'instrument approprié en termes d'étendue de mesure, de conception, de protection contre les explosions et de conditions de mesure spécifiques.
 3. Dépressuriser le conteneur, la tuyauterie ou le système.
 4. Sceller la face d'étanchéité et vérifier la présence éventuelle de fuites.
 5. Au point de mesure, visser l'instrument en serrant à la main. Veiller à ne pas croiser les filetages.
 6. Toujours visse ou dévisser l'instrument par les surfaces de clé. Ne jamais utiliser le boîtier comme surface de travail.
- Pour obtenir des informations concernant les trous taraudés et les embases à souder, voir les Informations techniques IN 00.14 sur www.wika.fr.

Instructions d'installation pour les instruments avec raccord à membrane affleurante, en combinaison avec EHEDG

Respecter les instructions suivantes, en particulier pour les instruments certifiés EHEDG.

- S'assurer que les conditions décrites au chapitre 2.8 "Accord avec la conformité EHEDG" sont remplies pour les instruments avec EHEDG.
- Installer l'instrument avec un minimum d'espace mort et de manière à pouvoir le nettoyer facilement.
- La position d'installation ne doit pas former un point de vidange ni de rétention d'eau.

5.3 Raccordement électrique, sortie numérique

L'instrument est à inclure dans la compensation de potentiel de l'installation.

Le raccordement numérique de l'instrument est effectué par l'interface UWI (Unified WIKA Interface) de WIKA et assure la transmission de données entre l'instrument de mesure et l'unité radio de type NETRIS®3.

Cette interface sert à la sécurité intrinsèque de la transmission de données entre des unités radio WIKA adéquates et des instruments de mesure utilisant l'interface UWI.

Le dispositif doit être alimenté seulement par une alimentation électrique certifiée fournissant une isolation double ou renforcée avec une sortie ne dépassant pas les limites de CSA/UL/EN/CEI 61010-1:2010 chapitre 6.3.1/6.3.2 et 9.4 ou classe 2 selon CSA 223/UL 1310.

Le raccordement électrique s'effectue à l'aide d'un connecteur circulaire M12 x 1 (4 plots).

- Pour plus de détails sur les valeurs caractéristiques de sécurité (Ex), voir 9 "Spécifications"

5.4 Unité radio

Toutes les informations nécessaires pour activer l'unité radio ou raccorder l'instrument à l'infrastructure IIoT sont contenues dans le mode d'emploi de l'unité radio.

- Pour plus de détails, voir le mode d'emploi de l'unité radio de type NETRIS®3.

FR

6. Dysfonctionnements

Personnel : personnel qualifié



DANGER !

Danger d'explosion vital

Risque d'explosion pouvant entraîner la mort en cas de travail en atmosphère inflammable.

- ▶ Réaliser les travaux de dépannage uniquement dans des environnements non dangereux.



AVERTISSEMENT !

Blessures physiques et dommages aux équipements et à l'environnement liés aux fluides dangereux

Lors du contact avec un fluide dangereux (par exemple oxygène, acétylène, substances inflammables ou toxiques) et un fluide nocif (par exemple corrosif, toxique, cancérigène, radioactif), il y a un danger de blessures physiques et de dommages aux équipements et à l'environnement.

En cas de défaillance, des fluides dangereux sous pression élevée ou sous vide peuvent être présents au niveau de l'instrument.

- ▶ Pour ces fluides, les codes et directives appropriés existants doivent être observés en plus des réglementations standard.



Si les défauts ne peuvent pas être éliminés au moyen des mesures listées, l'instrument doit être mis hors service immédiatement.

- ▶ Contacter le fabricant.
- ▶ Si un retour de l'instrument s'avère nécessaire, merci de respecter les indications mentionnées au chapitre 9.2 "Agréments".



Pour le détail des contacts, merci de consulter le chapitre 1 "Généralités" ou le dos du mode d'emploi.

En cas de pannes, vérifier d'abord si l'instrument est correctement monté sur le plan mécanique et électrique.

Dysfonctionnements	Raisons	Mesures
Signal de sortie constant après une variation de pression	Surcharge mécanique causée par une surpression	Remplacer l'instrument ; s'il tombe en panne de manière répétée, contacter le fabricant
Aucun signal de sortie	Rupture de câble	Vérifier les câbles de connexion pour vérifier leur continuité

6. Dysfonctionnements

Dysfonctionnements	Raisons	Mesures
Déviaton du signal de point zéro	Sécurité contre la surpression dépassée	Remettre le point zéro et observer la surpression admissible
	Dommages sur le raccord process	Remplacer l'instrument
Plage de signaux tombe	Dommages sur le raccord process	Remplacer l'instrument ; s'il tombe en panne de manière répétée, contacter le fabricant
	Le joint d'étanchéité est endommagé ou souillé	S'il est sale, nettoyer le joint d'étanchéité et le point de mesure. S'il est endommagé, remplacer le joint d'étanchéité.
	Le joint d'étanchéité n'est pas serré correctement	Enlever l'instrument et placer correctement le joint d'étanchéité
	Filetages bloqués	Installer correctement l'instrument
	Charge mécanique de l'instrument par des tuyauteries de courbure qui ne peuvent être considérées par le fabricant.	Exclure les forces de réaction à travers les canalisations en amont et en aval de l'instrument
Plage de signaux trop petite	Surcharge mécanique causée par une surpression	Réajuster l'instrument
Le signal de sortie varie	Pression du fluide qui fluctue fortement	Amortissement ; consulter le fabricant

FR

- Pour plus de détails sur l'unité radio, voir le mode d'emploi de l'unité radio de type NETRIS®3.
- Pour le remplacement de l'instrument, se référer aux chapitres 1 "Généralités" et 5 "Mise en service et utilisation".

7. Entretien, nettoyage et étalonnage

Personnel : personnel qualifié



Pour le détail des contacts, merci de consulter le chapitre 1 "Généralités" ou le dos du mode d'emploi.

7.1 Entretien

L'instrument ne requiert aucun entretien.

FR

Les réparations ne doivent être effectuées que par le fabricant.

Utiliser uniquement des pièces d'origine, voir chapitre 9 "Spécifications".

7.2 Nettoyage



ATTENTION !

Blessures physiques et dommages aux équipements et environnementaux

Les restes de fluides peuvent mettre en danger les personnes, l'environnement ainsi que l'installation.

- ▶ Effectuer le nettoyage conformément aux instructions du fabricant.



ATTENTION !

Dommages aux équipements dus à un nettoyage incorrect

Un nettoyage inapproprié peut conduire à l'endommagement de l'instrument.

- ▶ Ne pas utiliser de détergents agressifs.
- ▶ Ne pas utiliser d'objets pointus ou durs pour le nettoyage.
- ▶ Ne pas utiliser de chiffons ou d'éponges abrasifs.

1. Avant le nettoyage, enlever l'instrument du process sous pression, l'éteindre et le débrancher du secteur.
2. Nettoyer l'instrument avec un chiffon humide.
Ne pas exposer les raccordements électriques à l'humidité.
3. Laver et décontaminer l'instrument démonté afin de protéger les personnes et l'environnement contre les dangers liés aux résidus de fluides.

7. Entretien, nettoyage et étalonnage



Un nettoyage à 100 % sans résidus n'est pas possible, en raison de l'exécution.

S'abstenir de suivre des process de nettoyage pouvant entraîner une charge électrostatique et ne pas toucher les broches de connecteur exposées.

Processus de nettoyage par nettoyage en place (NEP)

- En cas d'un nettoyage de l'extérieur ("Wash down"), respecter la température et l'indice de protection admissibles.
- Employer seulement des détergents adaptés aux joints d'étanchéité utilisés.
- Les agents de nettoyage ne doivent pas être abrasifs ni coroder les matériaux des parties en contact avec le fluide.
- Éviter les chocs thermiques ou des changements brutaux de température. La différence de température entre l'agent de nettoyage et le rinçage à l'eau claire doit être aussi faible que possible. Exemple négatif : nettoyage à 80 °C [176 °F] et rinçage à 4 °C [39 °F] à l'eau froide.

7.3 Etalonnage

Il est recommandé de faire étalonner régulièrement l'instrument par le fabricant, tous les 12 mois environ.

L'étalonnage des valeurs transmises numériquement est possible uniquement en association avec l'unité radio de type NETRIS®3.

→ Pour plus de détails, voir le mode d'emploi de l'unité radio de type NETRIS®3.

FR

8. Démontage, retour et mise au rebut

8. Démontage, retour et mise au rebut

Personnel : personnel qualifié

Outils : clé dynamométrique



AVERTISSEMENT !

Blessure physique

Lors du démontage, les fluides dangereux et les pressions élevées peuvent représenter un danger.

- ▶ Respecter les indications de la fiche technique de sécurité de matière du fluide correspondant.
- ▶ Déconnecter l'instrument une fois que le système a été mis hors pression et a refroidi.
- ▶ Rincer ou nettoyer l'instrument démonté (à la suite d'une opération) afin de protéger les personnes et l'environnement contre toute exposition aux résidus de fluides.



AVERTISSEMENT !

Danger de brûlure

Durant le démontage, il y a un danger lié à l'échappement de fluides dangereusement chauds.

- ▶ Laisser l'instrument refroidir à température ambiante avant de le démonter.



AVERTISSEMENT !

Blessures physiques et dommages aux équipements et à l'environnement liés aux fluides dangereux

Lors du contact avec un fluide dangereux (par exemple oxygène, acétylène, substances inflammables ou toxiques) et un fluide nocif (par exemple corrosif, toxique, cancérigène, radioactif), il y a un danger de blessures physiques et de dommages aux équipements et à l'environnement.

En cas de défaillance, des fluides dangereux sous pression élevée ou sous vide peuvent être présents au niveau de l'instrument.

- ▶ Pour ces fluides, les codes et directives appropriés existants doivent être observés en plus des réglementations standard.

8.1 Démontage

1. Desserrer l'instrument avec une clé, en utilisant les méplats de clé.
2. Dévisser l'instrument à la main.
3. Retirer l'unité radio de l'instrument, voir le mode d'emploi de l'unité radio de type NETRIS®3.
4. Nettoyer l'instrument selon les besoins, voir chapitre 7.2 "Nettoyage".

8. Démontage, retour et mise au rebut



Le couple de serrage dépend du raccord process, du matériau et du joint d'étanchéité.



Si le connecteur enfichable est déconnecté, ne pas laisser le raccordement électrique entrer en contact avec l'humidité. Protéger le raccordement électrique contre les décharges électrostatiques. Si une unité radio activée est déconnectée de l'instrument, un message d'erreur est transmis. L'unité radio doit être désactivée au préalable.

8.2 Retour

En cas d'envoi de l'instrument, il faut respecter impérativement les points suivants :

- Tous les instruments livrés à WIKA doivent être exempts de substances dangereuses (acides, bases, solutions, etc.) et doivent donc être nettoyés avant d'être retournés ; voir chapitre 7.2 "Nettoyage".
- Pour retourner l'instrument, utiliser l'emballage original ou un emballage adapté pour le transport.



Avec les substances dangereuses, inclure la fiche technique de sécurité de matériau pour le fluide correspondant.

Pour éviter des dommages :

1. Emballer l'instrument dans un film plastique antistatique.
2. Placer l'instrument avec le matériau isolant dans l'emballage.
3. Mettre si possible un sachet absorbeur d'humidité dans l'emballage.
4. Indiquer lors de l'envoi qu'il s'agit d'un instrument de mesure très sensible à transporter.



Des informations relatives à la procédure de retour sont disponibles sur notre site Internet à la rubrique "Service" (formulaire de retour de produit).

Lors du renvoi de l'instrument avec l'unité radio raccordée, respecter également les instructions contenues dans le mode d'emploi de l'unité radio de type NETRIS®3.

8.3 Mise au rebut

Une mise au rebut inadéquate peut représenter un risque pour l'environnement. Eliminer les composants des instruments et les matériaux d'emballage conformément aux prescriptions nationales pour le traitement et l'élimination des déchets et aux lois de protection de l'environnement en vigueur.

9. Spécifications

9. Spécifications

9.1 Spécifications

Caractéristiques de précision

Incertitude	<ul style="list-style-type: none">■ 0,5 % de l'échelle■ 0,25 % de l'échelle (≤ 1.000 bar [15.000 psi])■ 0,1 % de l'échelle (≤ 1.000 bar [15.000 psi]) → 0,1 % de l'échelle à $< 1,6$ bar [23 psi], relative et bar abs. impossibles
--------------------	---

Réglage du point zéro	De -20 à +95 % (limité par 0 bar de pression absolue)
------------------------------	---

Non-répétabilité selon CEI 62828-2

Etendues de mesure ≤ 1.000 bar [15.000 psi]	$\leq 0,1$ % de l'échelle
--	---------------------------

Etendues de mesure > 1.000 bar [15.000 psi]	$\leq 0,5$ % de l'échelle
---	---------------------------

Erreur totale probable selon CEI 62828-2

Plage de température nominale selon DIN 16086 :
-40 ... +80 °C [-104 ... +176 °F]

Plage de température ambiante pour laquelle les limites de spécification ne doivent en aucun cas être dépassées.

Stabilité à long terme selon CEI 62828-1

Etendues de mesure < 1 bar [15 psi]	Max. 0,35 % de l'échelle par an
---------------------------------------	---------------------------------

Etendues de mesure $\geq 1 \dots < 1,6$ bar [$\geq 15 \dots < 20$ psi]	Max. 0,15 % de l'échelle par an
---	---------------------------------

Etendues de mesure $\geq 1,6 \dots \leq 40$ bar [$\geq 20 \dots \leq 500$ psi]	Max. 0,10 % de l'échelle par an
---	---------------------------------

Etendues de mesure > 40 bar [> 500 psi]	Max. 0,05 % de l'échelle par an
--	---------------------------------

Conditions de référence

Selon CEI 62828-1

FR

9. Spécifications

Étendues de mesure, pression relative¹⁾

bar	
0 ... 1	0 ... 60
0 ... 1,6	0 ... 100
0 ... 2,5	0 ... 160
0 ... 4	0 ... 250
0 ... 6	0 ... 400
0 ... 10	0 ... 600
0 ... 16	0 ... 1000
0 ... 25	0 ... 1600
0 ... 40	-
psi	
0 ... 15	0 ... 5.000
0 ... 30	0 ... 10.000
0 ... 100	0 ... 15.000
0 ... 500	0 ... 20.000
0 ... 1.500	-

Étendues de mesure, pression absolue

bar abs.	
0 ... 1	0 ... 10
0 ... 1,6	0 ... 16
0 ... 2,5	0 ... 25
0 ... 4	0 ... 40
0 ... 6	-
psi abs.	
0 ... 15	0 ... 150
0 ... 20	0 ... 200
0 ... 30	0 ... 300
0 ... 50	0 ... 500
0 ... 100	-
psi	
-14,5 ... +0	-14,5 ... +300
-14,5 ... +15	-

FR

1) Pour les étendues de mesure > 600 bar [10.000 psi], seul le type PEU-20 est disponible

Étendues de mesure de vide et de mesure composées

bar	
-0,2 ... +0,2	-1 ... +5
-1 ... 0	-1 ... +10
-1 ... +0,6	-1 ... +15
-1 ... +1,5	-1 ... +25
-1 ... +3	-1 ... +40

Autres étendues de mesure sur demande.

Détails supplémentaires sur : étendue de mesure

Unités

- bar
- psi
- bar abs.
- psi abs.

Pression de service maximale

→ Correspond à la valeur supérieure de l'étendue de mesure / valeur pleine échelle de l'étendue de mesure

9. Spécifications

Détails supplémentaires sur : étendue de mesure

Limite de surpression	<p>La limite de surpression est basée sur l'étendue de mesure. En fonction du raccord process et du joint d'étanchéité sélectionnés, il peut y avoir des restrictions concernant la surpression admissible. L'utilisation de l'instrument dans la plage comprise entre la valeur supérieure de l'étendue de mesure / la valeur pleine échelle de l'étendue de mesure et la limite de surpression n'est pas considérée comme un fonctionnement normal et n'est autorisée que pour une courte durée.</p> <p>→ La certification CSA selon C22.2 N° 61010-1/UL 61010-1 n'évalue que la pression nominale marquée sur l'instrument en conformité avec la liste de certification. La limite de surpression définie pour une utilisation de courte durée est exclue du champ d'application de la certification.</p>
Etendues de mesure ≤ 40 bar [500 psi]	3 fois
Etendues de mesure 40 ... 1.000 bar [500 15.000 psi]	2 fois
Etendue de mesure 1.600 bar [20.000 psi]	1,5 fois
Tenue au vide	Oui (pas pour les applications avec de l'oxygène)

Raccord process

Conforme à la norme	Taille du filetage	Etendues de mesure possible
Type PEU-20		
EN 837	G ¾ B	≤ 0 ... 1.000 bar [0 ... 15.000 psi]
	G ½ B	≤ 0 ... 1.000 bar [0 ... 15.000 psi]
	M20 x 1,5	≤ 0 ... 1.000 bar [0 ... 15.000 psi]
ANSI/ASME B1.20.1	½ NPT	≤ 0 ... 1.000 bar [0 ... 15.000 psi]
	½ NPT, filetage femelle	≤ 0 ... 1.000 bar [0 ... 15.000 psi]
	¼ NPT	≤ 0 ... 1.000 bar [0 ... 15.000 psi]
-	M16 x 1,5, filetage femelle avec cône d'étanchéité	≥ 0 ... 100 bar [0 ... 1.500 psi]
	M20 x 1,5, filetage femelle avec cône d'étanchéité	≥ 0 ... 1.600 bar [0 ... 20.000 psi]
	9/16-18 UNF, filetage femelle, F 250-C	≥ 0 ... 100 bar [0 ... 1.500 psi]
Type PEU-21		

14602071.03 08/2025 EN/DE/FR/ES

9. Spécifications

Raccord process		
Conforme à la norme	Taille du filetage	Etendues de mesure possible
-	G ½ B	0 ... 6 à 0 ... 600 bar [0 ... 100 à 0 ... 5.000 psi]
	G 1 B	≤ 0 ... 1,6 bar [0 ... 30 psi]
	G 1 ½ B	≤ 0 ... 1,6 bar [0 ... 30 psi]
	G 1 hygiénique ^{1) 2)}	≤ 0 ... 16 bar [0 ... 100 psi]
	G 1 hygiénique avec élément de refroidissement ²⁾	≤ 0 ... 16 bar [0 ... 100 psi]
TRI-CLAMP®	DN 1½ avec élément de refroidissement pour 150 °C [302 °F]	≤ 0 ... 40 bar [0 ... 500 psi]
	DN 2 avec élément de refroidissement pour 150 °C [302 °F]	≤ 0 ... 40 bar [0 ... 500 psi]
Clamp DIN 32676	DN 40 avec élément de refroidissement pour 150 °C [302 °F]	≤ 0 ... 40 bar [0 ... 500 psi]
	DN 50 avec élément de refroidissement pour 150 °C [302 °F]	≤ 0 ... 40 bar [0 ... 500 psi]
Ecrou-raccord à rainure DIN 11851 avec raccord conique	DN 25 avec élément de refroidissement pour 150 °C [302 °F]	≤ 0 ... 40 bar [0 ... 500 psi]
	DN 40 avec élément de refroidissement pour 150 °C [302 °F]	≤ 0 ... 25 bar [0 ... 500 psi]
	DN 50 avec élément de refroidissement pour 150 °C [302 °F]	≤ 0 ... 25 bar [0 ... 500 psi]
NEUMO BioConnect®	DN 40 forme en V avec élément de refroidissement pour 150 °C [302 °F]	≤ 0 ... 16 bar [0 ... 500 psi]

FR

9. Spécifications

Raccord process		
Conforme à la norme	Taille du filetage	Etendues de mesure possible
VARINLINE®	Forme en N avec élément de refroidissement pour 150 °C [302 °F], DN 40 ... 50	≤ 0 ... 16 bar [0 ... 500 psi]
	Forme en F avec élément de refroidissement pour 150 °C [302 °F], DN 25	≤ 0 ... 16 bar [0 ... 500 psi]

1) Disponible également en tant qu'exécution haute température jusqu'à 150 °C [302 °F] avec joint EPDM ou FKM étendu.

2) Convient à l'adaptateur WIKA type 910.61 ; voir fiche technique AC 09.20

Les valeurs doivent être testées séparément dans l'application en question. Les valeurs spécifiées pour la limite de surpression servent uniquement d'orientation grossière. Les valeurs dépendent de la température, du joint d'étanchéité utilisé, du couple choisi, du type et du matériau du contre-filetage et des conditions d'opération régnant sur le site.

BioConnect® est une marque déposée de la société NEUMO.

VARINLINE® est une marque déposée de la société GEA Tuchenhagen GmbH.

Interface numérique	
Type de signal	Interface WIKA unifiée (UWI)
Résolution du signal numérique	< 0,01 % de l'intervalle de mesure
Type de raccordement	Connexion pour NETRIS®3 connecteur M12

Matériau		
Matériaux (en contact avec le fluide)		
PEU-20		
≤ 40 bar [500 psi]	Tous les raccords process	Acier inox 1.4404 / 316L Capteur : acier inox 1.4404 / 316L
> 40 bar [500 psi]	Tous les raccords process	Raccord process : acier inox 1.4404 / 316L Capteur : Elgiloy® 2.4711
> 1.000 bar [15.000 psi]	Tous les raccords process	Raccord process : acier inox 1.4534 / 904L Capteur : acier inox 1.4534 / 904L

14602071.03 08/2025 EN/DE/FR/ES

9. Spécifications

Matériau		
PEU-21		
Toutes les étendues de mesure	Tous les raccords process	Raccord process : acier inox 1.4435 / 316L Membrane : acier inox 1.4435 / 316L
	<ul style="list-style-type: none"> ■ G ½ ■ G 1 	Raccord process : Hastelloy® HC276 / 2.4819 Membrane : Hastelloy C276 / 2.4819
	<ul style="list-style-type: none"> ■ G ½ ■ G 1 	Raccord process : plaqué or Membrane : plaquée or ¹⁾
Joint	<ul style="list-style-type: none"> ■ NBR ■ EPDM ■ FKM 	
	→ Pour filetages G PEU-21 jusqu'à max. +105 °C [221 °F]	
Rugosité de surface avec raccords hygiéniques	<ul style="list-style-type: none"> ■ Surface non polie $R_a \leq 0,5 \mu\text{m}$ ■ Surface polie $R_a \leq 0,38 \mu\text{m}$ 	
Liquide de transmission		
PEU-20	Etendue de mesure $\leq 40 \text{ bar}$ [500 psi]	Huile synthétique (huile halocarbone pour les applications avec oxygène)
	Etendue de mesure $> 40 \text{ bar}$ [500 psi]	Cellule de mesure sèche
PEU-21	Toutes les étendues de mesure	<ul style="list-style-type: none"> ■ Huile synthétique (huile halocarbone pour les applications avec oxygène) ■ NEOBEE M-20 FDA (numéro d'article 1490451)

1) Précision 0,1 % non disponible pour les capteurs plaqués or.

Tous les raccordements sont compatibles NACE (MR0103 et MR0175). Pas de NACE avec étendues de mesure $> 1.000 \text{ bar}$ [15.000 psi], voir tableau "Raccord process".

Version pour fluides spéciaux	
Agroalimentaire	Liquide de transmission compatible avec les produits alimentaires, listé par la FDA
Exempt d'huiles et de graisses	Selon G93:2019 niveau D ($< 220 \text{ mg/m}^2$)
Oxygène, exempt d'huiles et de graisses	<ul style="list-style-type: none"> ■ Selon G93:2019 niveau D ($< 220 \text{ mg/m}^2$) ■ Particules $< 1.000 \mu\text{m}$

14602071.03 08/2025 EN/DE/FR/ES

9. Spécifications

Version pour fluides spéciaux

Hydrogène	Etendues de mesure	≥ 100 bar [1.450 psi]
	Matériau (en contact avec le fluide)	316L et Elgiloy (2.4711)
	Avec la mesure de l'hydrogène, préférablement, il vaut mieux utiliser un élément à membrane plaqué or. Si ceci est impossible techniquement, il faudra s'attendre à avoir une dérive à long terme plus importante. Une utilisation à des pressions ≥ 1.000 bar [≥ 14.500 psi] n'est pas admissible.	

Conditions de fonctionnement

Limite de température du fluide	→ Voir tableau "Valeurs caractéristiques de sécurité (Ex)"	
	Application avec oxygène	-20 ... +60 °C [-4 ... +140 °F]
	Application avec hydrogène	Max. 30 °C [86 °F]
Limite de température du fluide due au matériau d'étanchéité (seulement pour type PEU-21)		
NBR	-20 ... +105 °C [-4 ... +221 °F]	
FKM	-20 ... +105 °C [-4 ... +221 °F]	
FKM	-20 ... +150 °C [-4 ... +302 °F] ²⁾	
EPDM	-40 ... +105 °C [-40 ... +221 °F]	
EPDM	-40 ... +150 °C [-40 ... +302 °F] ²⁾	
Limite de température ambiante	-40 ... +80 °C [-40 ... +176 °F] ¹⁾	
Limite de température de stockage	-40 ... +80 °C [-40 ... +176 °F]	
Humidité selon CEI 62828-1	50 ... 70 % d'humidité relative (sans condensation)	
Classification du boîtier selon CSA C22.2 n° 94.2 et UL50E	Type 4	
Indice de protection selon CEI 60529 (déclaré par le fabricant)	IP66/67	
	L'indice de protection n'est valable qu'en cas de connexion correcte avec le type NETRIS®3	
Niveau de colmatage	4	
Catégorie de surtension	I	
Altitude pour le fonctionnement	2.000 m [6.562 pi] au-dessus du niveau de la mer	
Résistance aux vibrations selon DNVGL-CG-0339		
Pour instruments sans élément de refroidissement	4g (5 ... 100 Hz)	

9. Spécifications

Conditions de fonctionnement

Pour instruments avec élément de refroidissement	0,7g (5...100 Hz)
--	-------------------

Résistance aux chocs selon CEI 60068-2-27




Pour instruments sans élément de refroidissement	100g [6 ms]
Pour instruments sans élément de refroidissement	50g [6 ms]
Pour instruments avec étendue de mesure 1.000 bar [15.000 psi]	20g [6 ms]

Position de montage	Verticale, membrane vers le bas
----------------------------	---------------------------------

- 1) Instrument avec connecteur coudé ou connecteur circulaire : -30 ... +80 °C [-22 ... +176 °F]
 2) Raccord process avec élément de refroidissement


FR

9.2 Agréments

Logo	Description	Région	
	Déclaration de conformité UE Directive ATEX Zones explosives - Ex i Zone 0 gaz II 1G Ex ia IIC T4 ... T1 Ga - Ex i Zone 1 pour installation dans zone 0 gaz II 1/2G Ex ia IIC T4 ... T1 Ga/Gb - Ex i Zone 1 gaz II 2G Ex ia IIC T4 ... T1 Gb - Ex i Zone 20 poussière II 1D Ex ia IIC T135°C Da - Ex i Zone 21 pour installation dans zone 20 poussière II 1/2D Ex ia IIC T135 °C Da/Db - Ex i Zone 21 poussière II 2D Ex ia IIC T135°C Db Directive CEM EN 61326 émission (groupe 1, classe A) et immunité (environnement industriel) Directive relative aux équipements sous pression (accessoire sous pression, module A) Directive RoHS	Union européenne	
	  IECEx Zones explosives - Ex i Zone 0 gaz Ex ia IIC T4 ... T1 Ga - Ex i Zone 1 pour installation dans zone 0 gaz Ex ia IIC T4 ... T1 Ga/Gb - Ex i Zone 1 gaz Ex ia IIC T4 ... T1 Gb - Ex i Zone 20 poussière Ex ia IIC T135°C Da - Ex i Zone 21 pour installation dans zone 20 poussière Ex ia IIC T135 °C Da/Db - Ex i Zone 21 poussière Ex ia IIC T135°C Db		International

14602071.03 08/2025 EN/DE/FR/ES

9. Spécifications

Logo	Description	Région
	EHEDG Conception des équipements d'hygiène (uniquement pour PEU-21)	Union européenne

Déclaration du fabricant

Logo	Description
-	Déclaration du fabricant concernant le règlement 1935/2004 CE de l'Union Européenne
-	Déclaration du fabricant GB 4806.1-2016 Norme nationale chinoise de sécurité sanitaire des aliments – Bonnes Pratiques de Fabrication GB 31603-2015 (BPF)

FR

Certificats

Description	
Certificats	<ul style="list-style-type: none"> ■ Sans ■ Rapport de test 2.2 selon EN 10204 (par exemple fabrication conformément aux règles de l'art, certification des matériaux, incertitude de mesure de l'instrument) ■ Certificat d'inspection 3.1 selon EN 10204 (par exemple certification des matériaux pour les parties métalliques en contact avec le fluide)
Étalonnage	<ul style="list-style-type: none"> ■ Sans ■ Certificat d'inspection 3.1 selon EN 10204 (étalonnage d'usine) ■ Certificat d'étalonnage DAkkS (traçable et accrédité en conformité avec la norme ISO/CEI 17025)
Périodicité d'étalonnage recommandée	1 an (en fonction des conditions d'utilisation)

→ Pour les agréments et certificats, voir site Internet

Valeurs caractéristiques de sécurité (Ex)

Valeurs caractéristiques de sécurité (Ex)	
Paramètres électriques de la tension d'alimentation à sécurité intrinsèque	
Tension d'entrée maximale U_i	6,7 VDC
Courant d'entrée maximal pour applications avec gaz I_i	250 mA
Puissance d'entrée maximale P_i	300 mW
Capacité interne effective C_i	4,4 nF

14602071.03 08/2025 EN/DE/FR/ES

9. Spécifications

Valeurs caractéristiques de sécurité (Ex)	
Conductivité interne effective L_i	Négligeable
Tension maximale de sortie U_o ¹⁾	6,7 VDC
Courant maximal de sortie I_o ¹⁾	400 mA
Plage de température	→ S'applique aux classes de température T4 ... T1 et à une température maximale de surface T135 pour l'atmosphère explosive aux poussières
Température ambiante	-40 ... +80 °C [-40 ... +176 °F]
Température du fluide ²⁾	-40 ... +80 °C [-40 ... +176 °F] → Pour des températures de fluide accrues, voir tableau "Autres spécifications sur : valeurs caractéristiques de sécurité (Ex)"

1) Court terme dû à la décharge du condensateur, constante de temps $5 \times T < 25$ ms

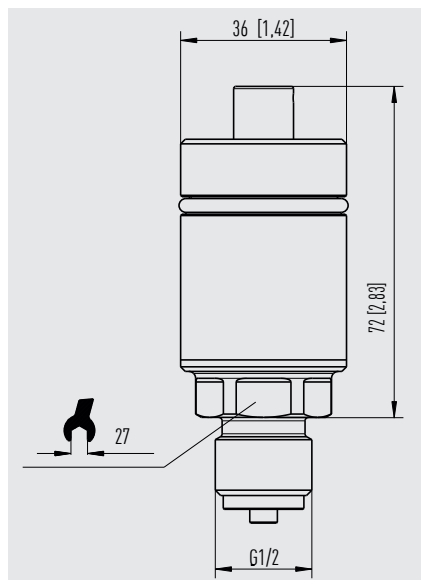
2) Les températures du fluide dépendent du raccord process, du joint et des valeurs caractéristiques de la protection contre les explosions. Des températures de fluide supérieures à 80 °C ne sont possibles qu'avec des raccords à membrane affleurante.

Le type PEU-2x est prévu pour un usage avec l'unité radio de type NETRIS[®]3 à sécurité intrinsèque et fonctionnant sur batterie avec le type de protection contre l'ignition "ia".

Autres spécifications sur : valeurs caractéristiques de sécurité (Ex)		
Classe de température	Température de fluide maximale	Température ambiante
Sans élément de refroidissement		
T4	120 °C [248 °F]	-40 ≤ Ta ≤ +30 °C [-40 ≤ Ta ≤ +86 °F]
T4	105 °C [221 °F]	-40 ≤ Ta ≤ +40 °C [-40 ≤ Ta ≤ +104 °F]
T4	85 °C [185 °F]	-40 ≤ Ta ≤ +80 °C [-40 ≤ Ta ≤ +176 °F]
Avec élément de refroidissement		
T3	150 °C [302 °F]	-40 ≤ Ta ≤ +40 °C [-40 ≤ Ta ≤ +104 °F]
T4	120 °C [248 °F]	-40 ≤ Ta ≤ +50 °C [-40 ≤ Ta ≤ +122 °F]
T4	105 °C [221 °F]	-40 ≤ Ta ≤ +50 °C [-40 ≤ Ta ≤ +122 °F]
T4	85 °C [185 °F]	-40 ≤ Ta ≤ +80 °C [-40 ≤ Ta ≤ +176 °F]

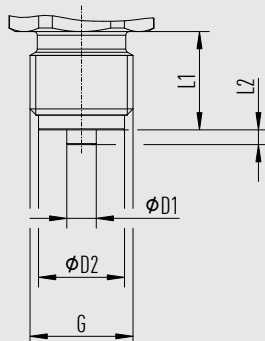
9. Spécifications

9.3 Dimensions en mm [po]



Raccords process pour type PEU-20

EN 837

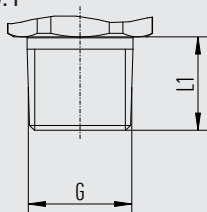


G	L1	L2	D1	D2
G 3/8 B	16 [0,63]	3 [0,12]	5,5 [0,22]	13 [0,512]
G 1/2 B	20 [0,79]	3 [0,12]	6 [0,24]	17,5 [0,689]
M20 x 1,5	20 [0,79]	3 [0,12]	6 [0,24]	17,5 [0,689]

14602071.03 08/2025 EN/DE/FR/ES

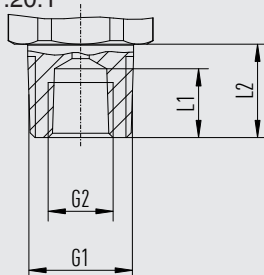
9. Spécifications

ANSI/ASME B1.20.1



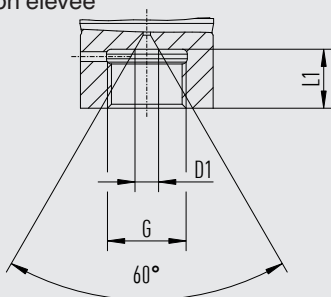
G	L1
¼ NPT	13 [0,51]
½ NPT	19 [0,75]

ANSI/ASME B1.20.1



G1	G2	L1	L2
½ NPT, mâle	1/4 NPT, femelle	14 [0,55]	19 [0,75]

Raccord pression élevée



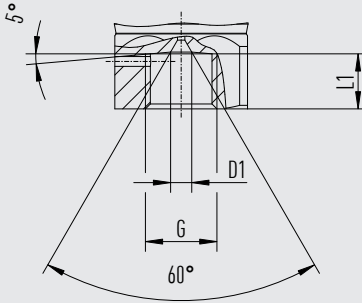
G	L1	D1
M16 x 1,5 femelle	12 [0,47]	4,8 [0,19]
M20 x 1,5 femelle	15 [0,59]	4,8 [0,19]

14602071.03 08/2025 EN/DE/FR/ES

FR

9. Spécifications

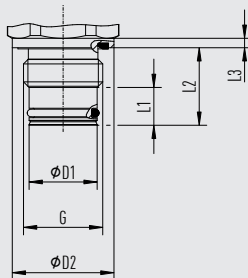
Raccord pression élevée



G	L1	D1
9/16-18 UNF femelle F 250-C	11,2 [0,44]	4,3 [0,17]

FR

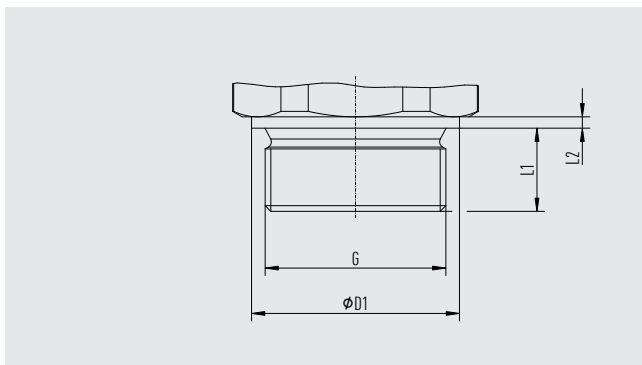
Raccords process pour type PEU-21



G	L1	L2	L3	D1	D2
G ½ B	10 [0,39]	20,5 [0,807]	3 [0,12]	18 [0,71]	26,9 [1,059]
G 1 B	9 [0,35]	25 [0,98]	2,5 [0,098]	30 [1,18]	40 [1,595]

14602071.03 08/2025 EN/DE/FR/ES

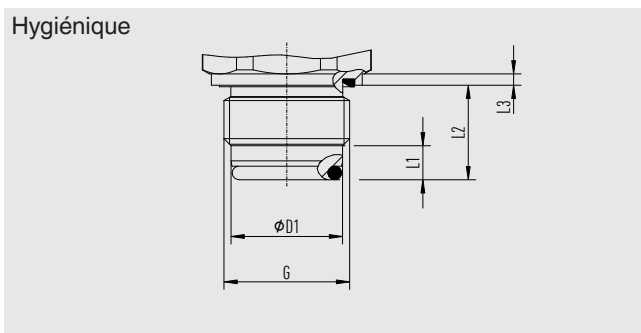
9. Spécifications



G	L1	L2	D1
G 1 ½ B	22 [0,87]	3 [0,12]	55 [2,17]

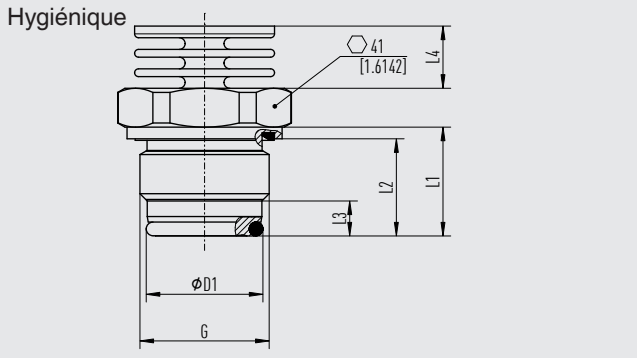
FR

Hyg nrique



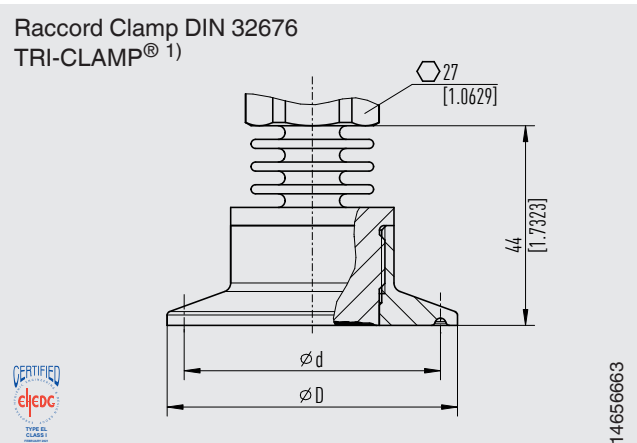
G	L1	L2	L3	D1
G 1	9 [0,35]	25 [0,98]	3 [0,12]	29,5 [1,16]

9. Spécifications



G	L1	L2	L3	L4	D1
G 1	28 [1,10]	25 [0,98]	9 [0,35]	15,5 [0,61]	29,5 [1,161]

Raccordements hygiéniques pour l'industrie alimentaire, l'industrie pharmaceutique et les applications sanitaires

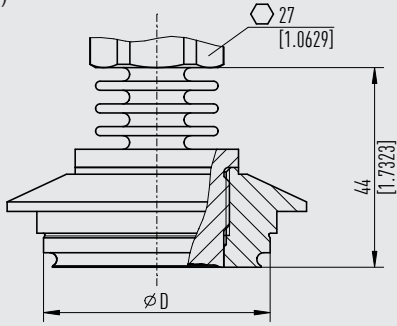


DN	ØD	Ød
DN 1 ½	50,5 [1,99]	43,5 [1,71]
DN 2	64 [2,52]	56,6 [2,23]
DN 40	50,5 [1,99]	43,5 [1,71]
DN 50	64 [2,52]	56,6 [2,23]

1) Raccords process selon ASME BPE

9. Spécifications

VARINLINE® 1)

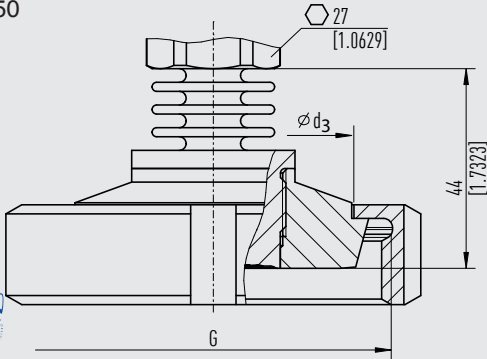


14656671

FR

Forme	ØD
Forme F	50 [1,97]
Forme N	68 [2,68]

Ecrou-chapeau DIN 11851
Avec accouplement conique, pour tuyaux selon DIN 11850

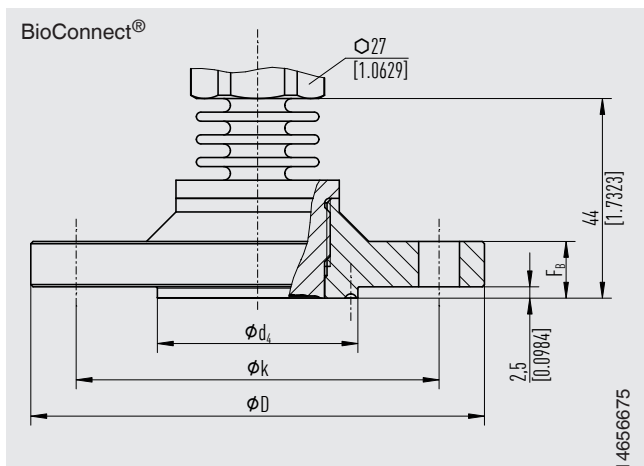


14656667

DN	G	Ød ₃
DN 25	Rd 52 x 1/6	35 [1,37]
DN 40	Rd 65 x 1/6	44 [1,73]
DN 50	Rd 78 x 1/6	61 [2,40]




14602071.03 08/2025 EN/DE/FR/ES

10. Accessoires et pièces de rechange



DN	$\varnothing d_4$	$\varnothing D$	$\varnothing k$	F_B
DN 40	44,2 [1,74]	100 [3,94]	80 [3,15]	10 [0,39]

10. Accessoires et pièces de rechange

Type	Description	Code article
	NETRIS®3 Unité radio avec LoRaWAN® pour les instruments de mesure WIKA Pour les applications en zone explosive → Voir fiche technique AC 40.03	-
	Embase à souder pour raccord process G ½ affleurant	1192299
	Embase à souder pour raccord process G 1 affleurant	1192264
	Embase à souder pour raccord process G 1 ½ affleurant	2158982
	Embase à souder pour raccord process G 1 hygiénique affleurant	14070973
	IV20, IV21 Vanne d'isolement et de purge → Voir fiche technique AC 09.19	-

Les accessoires WIKA sont disponibles en ligne sur www.wika.fr.

Contenido

1. Información general	125
1.1 Abreviaturas, definiciones	126
1.2 Explicación de símbolos	126
2. Seguridad	127
2.1 Uso conforme a lo previsto.	127
2.2 Uso incorrecto	128
2.3 Cualificación del personal	129
2.4 Rótulos, marcajes de seguridad	129
2.5 Marcaje Ex	130
2.6 Condiciones especiales de uso (X-Conditions)	131
2.7 Nota sobre seguridad intrínseca	131
2.8 Cumplimiento de la conformidad EHEDG.	132
2.9 Descripción de seguridad de la fuente de alimentació	132
3. Transporte, embalaje y almacenamiento	133
3.1 Transporte	133
3.2 Embalaje y almacenamiento	133
4. Diseño y función	135
4.1 Resumen.	135
4.2 Descripción	135
4.3 Alcance del suministro	136
4.4 Identificación del producto	136
5. Puesta en servicio y funcionamiento	137
5.1 Requisitos del lugar de medición	138
5.2 Montaje mecánico	138
5.3 Conexión eléctrica, salida digital	139
5.4 Unidad de radio	139
6. Errores	140
7. Mantenimiento, limpieza y calibración	142
7.1 Mantenimiento	142
7.2 Limpieza	142
7.3 Calibración	143

ES

14602071.03 08/2025 EN/DE/FR/ES

8. Desmontaje, devolución y eliminación de residuos	144
8.1 Desmontaje	144
8.2 Devolución	145
8.3 Eliminación de residuos.	145
9. Datos técnicos	146
9.1 Datos técnicos	146
9.2 Homologaciones	153
9.3 Dimensiones en mm [in]	156
10. Accesorios y piezas de recambio	162
Annex: EU and UK declarations of conformity	163
Annex: Control drawing type PEU-2*	164

→ Declaraciones de conformidad véase www.wika.es

1. Información general

Documentación complementaria:

- Consulte toda la documentación incluida en el volumen de suministro.



Antes de poner en servicio el instrumento, también se deben observar las indicaciones del manual de instrucciones del modelo NETRIS® 3, unidad de radio, artículo 14521664.

1. Información general

- El instrumento descrito en el manual de instrucciones está construido y fabricado según el estado actual de la técnica. Todos los componentes están sometidos durante su fabricación a estrictos criterios de calidad y medioambientales. Nuestros sistemas de gestión están certificados según ISO 9001 e ISO 14001.
- Este manual de instrucciones proporciona indicaciones importantes acerca del manejo del instrumento. Para un trabajo seguro, es imprescindible cumplir con todas las instrucciones de seguridad y manejo indicadas.
- Cumplir con la normativa local de prevención de accidentes y las regulaciones generales de seguridad para el rango de uso del instrumento.
- El manual de instrucciones es una parte integrante del instrumento y debe guardarse en la proximidad del mismo para que el personal especializado pueda consultarlo en cualquier momento. Entregar el manual de instrucciones al usuario o propietario siguiente del instrumento.
- El personal especializado debe haber leído y entendido el manual de instrucciones antes de comenzar cualquier trabajo.
- En caso de interpretación diferente de las instrucciones de uso traducidas y las inglesas, prevalecerá la redacción inglesa.
- En este documento se utiliza el masculino genérico para una mejor legibilidad. Se incluye explícitamente la identidad femenina y otras identidades de género.
- Si está disponible, la documentación suministrada por el proveedor también se considera parte del producto, además de estas instrucciones de uso.
- Se aplican las condiciones generales de venta incluidas en la documentación de venta.
- Sujeto a modificaciones técnicas.
- La calibración en la fábrica y por parte de la asociación alemana de calibración (DAkkS) se realiza conforme a las normativas internacionales.
- Para obtener más información consultar:
 - Página web: www.wika.es / www.wika.com
 - Hoja técnica correspondiente: PE 87.24
 - Documentación especial: "Documental especial" para protocolo de comunicación LoRaWAN®, modelos PEU-20 y PEU-21

ES

1. Información general

- Información técnica: IN 00.14 Orificios roscados para conexiones a proceso
IN 00.50 Montaje eléctrico
- Contacto: Tel.: +34 933 938 630
info@wika.es

1.1 Abreviaturas, definiciones

- Símbolo de enumeración
- ▶ Instrucción
- 1. ... x. Seguir las instrucciones paso a paso
- Ver ... referencias cruzadas
- UWI Interfaz unificada WIKA

1.2 Explicación de símbolos



¡ADVERTENCIA!

... señala una situación potencialmente peligrosa que puede causar lesiones graves o la muerte, si no se evita.



¡CUIDADO!

... señala una situación potencialmente peligrosa que puede provocar lesiones leves o daños materiales o medioambientales, si no se evita.



¡PELIGRO!

... señala una situación probablemente peligrosa en una zona potencialmente explosiva que puede provocar lesiones graves o la muerte, si no se evita.



¡ADVERTENCIA!

... señala una situación de peligro que puede provocar quemaduras causadas por superficies o líquidos calientes si no se evita.



Información

... destaca consejos y recomendaciones útiles así como informaciones para una utilización eficiente y libre de errores.

2. Seguridad

2.1 Uso conforme a lo previsto

El modelo PEU-2x es un transmisor de presión que se utiliza para medir un valor de presión; está homologado únicamente para su uso con el modelo de unidad de radio NETRIS®3. Toda otra utilización no es posible.

El PEU-2x es adecuado para la medición de presión de líquidos y gases en todas las aplicaciones que se ajustan a las especificaciones técnicas. El uso con medios muy calientes, muy fríos o agresivos requiere el montaje de sellos separadores y elementos de refrigeración. Una aplicación típica es la monitorización de los niveles de combustible en lugares remotos con transmisión inalámbrica de los valores medidos a una nube.

Los modelos PEU-20 y PEU-21 son adecuados para su uso en zonas potencialmente explosivas.

No está permitido despiezar el instrumento en sus componentes. No utilice el transmisor de presión si está dañado.

Antes de la utilización, comprobar si presenta defectos visuales.

Si el equipo se utiliza de una manera no especificada por el fabricante, la protección proporcionada por el equipo puede verse afectada.

La medición de la temperatura del instrumento aumenta la precisión de la medición de presión (compensación de la temperatura) y no puede utilizarse para determinar la temperatura del proceso.

El instrumento ha sido diseñado y construido únicamente para la finalidad aquí descrita y debe utilizarse en conformidad a la misma.

Deben observarse las especificaciones técnicas de este manual de instrucciones, véase 9 "Datos técnicos", y el manual de instrucciones de la unidad de radio NETRIS® 3. Se supone que el instrumento se manipula correctamente y dentro de sus especificaciones técnicas. En caso contrario, el instrumento debe ponerse fuera de servicio inmediatamente y ser inspeccionado por un técnico autorizado de WIKA.

Montaje

Para los límites de aplicación del conjunto se requiere el cumplimiento de las especificaciones de la unidad de radio y las especificaciones del modelo PEU-2x. El rango de temperatura ambiente admisible del conjunto lo determina el instrumento con el rango de temperatura más bajo.

Manejar el instrumento electrónico de precisión con adecuada diligencia (protegerlo contra humedad, impactos, fuertes campos magnéticos, electricidad estática y temperaturas extremas; no introducir ningún objeto en el instrumento o las aberturas). Es necesario proteger los conectores macho y hembra de cualquier tipo de contaminación.

2. Seguridad



La supervisión a distancia de la presión de proceso mediante transmisión inalámbrica sólo es adecuada para aplicaciones no críticas y no relevantes para la seguridad.

La función de monitorización remota no debe utilizarse con fines de control, ya que no puede garantizarse que los paquetes de datos no se pierdan durante la transmisión inalámbrica.

Clasificación según la directiva europea sobre equipos a presión

- Tipo de instrumento: accesorio de presión sin función de seguridad
- Medios: líquido o gaseoso, grupo 1 (peligrosos)
- Presión máxima admisible PS, véase el capítulo 1.1 "Abreviaturas, definiciones"
- Volumen de las partes en contacto con el medio: < 1 l

El usuario final del instrumento debe evaluar si se requiere un número de registro canadiense (CRN, Canadian Registration Number) para su aplicación en Canadá. Deben tenerse en cuenta las restricciones y limitaciones asociadas al CRN.

No se admite ninguna reclamación debido a un manejo no adecuado.

2.2 Uso incorrecto

- Cualquier uso que no sea el previsto para este dispositivo es considerado como uso incorrecto.
- Abstenerse de realizar modificaciones no autorizadas del dispositivo.
- No utilizar en dispositivos de desconexión de seguridad o emergencia.
- No utilizar este instrumento con medios abrasivos y viscosos.



Los impactos externos pueden generar chispas por la fricción entre diferentes materiales.

Atmósfera potencialmente explosiva de mezclas híbridas

Los instrumentos no deben ser utilizados en áreas en las que pueda producirse una atmósfera consistente en mezclas híbridas explosivas (polvos mezclados con gases).

Manipulación de materiales

Evitar la exposición del instrumento y de los materiales utilizados a sustancias o condiciones ambientales que puedan afectarles negativamente. Evitar la manipulación con sustancias susceptibles de inflamación espontánea. Para la lista de los materiales utilizados, véase el capítulo 9 "Especificaciones técnicas".

2. Seguridad

2.3 Cualificación del personal



Las actividades descritas en este manual de instrucciones deben realizarse únicamente por personal especializado con la consiguiente cualificación.

Personal especializado

Debido a su formación profesional, a sus conocimientos de la técnica de regulación y medición así como a su experiencia y su conocimiento de las normativas, normas y directivas vigentes en el país de utilización el personal especializado autorizado por el usuario es capaz de ejecutar los trabajos descritos y reconocer posibles peligros por sí solo.

Habilidades específicas al trabajar con equipos para zonas potencialmente explosivas:

El personal técnico especializado debe tener conocimientos sobre los tipos de protección contra incendios, los reglamentos y las directivas referentes a equipos en zonas potencialmente explosivas.

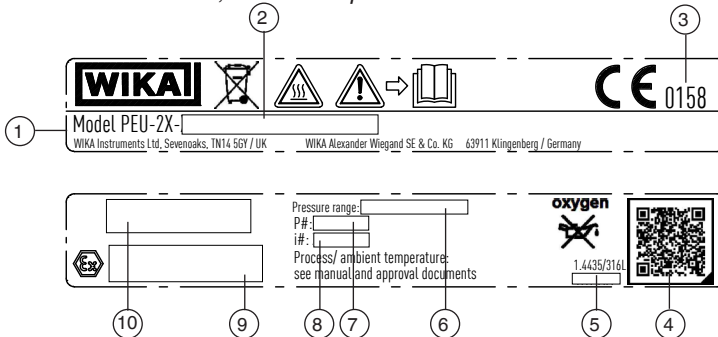
Algunas condiciones de uso específicas requieren conocimientos adicionales, p. ej. acerca de medios agresivos.

2.4 Rótulos, marcajes de seguridad

El etiquetado, las marcas de seguridad deben mantenerse en un estado legible.

Placa de identificación (ejemplo)

→ Para más datos técnicos, véase el capítulo 9 "Datos técnicos".



- 1 Indicación de modelo
- 2 Código
- 3 Marcado de conformidad + número de identificación del organismo notificado o reconocido
- 4 Código QR al enlace de identificación
- 5 Fecha de fabricación (AAAA-MM)

2. Seguridad

- 6 Presión máx. admisible en bar a temperatura ambiente
- 7 Código
- 8 Número de serie inteligente
- 9 Marcaje Ex
- 10 Otras aprobaciones

Símbolos



Es absolutamente necesario leer el manual de instrucciones antes del montaje y la puesta en servicio del instrumento.



No eliminar en las basuras domésticas. Garantizar una eliminación correcta según las normativas nacionales.



Enlace de identificación según la norma IEC 61406-1 para el pasaporte del producto
→ Para más información, véase el capítulo 4.4 "Identificación del producto".

oxygen



Versión especial
El instrumento no contiene aceite ni grasa y es apto para aplicaciones con oxígeno.



Advertencia de superficie caliente

2.5 Marcaje Ex



¡PELIGRO! Peligro de muerte por explosión

La inobservancia del contenido y de las instrucciones puede originar la pérdida de la protección contra explosiones.

- ▶ Instalación y puesta en servicio del instrumento de acuerdo con las especificaciones del fabricante.
- ▶ Siga las instrucciones de seguridad de este capítulo y las relativas a la protección contra explosiones de este manual de instrucciones.
- ▶ Tenga en cuenta las indicaciones del certificado de tipo así como las normativas vigentes en el país de utilización acerca de la instalación y el uso en zonas potencialmente explosivas (p. ej. IEC 60079-14, NEC, CEC).

2. Seguridad

Compruebe idoneidad de la clasificación para la aplicación. Tenga en consideración las respectivas leyes y reglamentos nacionales.

ATEX
II 1G Ex ia IIC T4 ... T1 Ga
II 1/2G Ex ia IIC T4 ... T1 Ga/Gb
II 2G Ex ia IIC T4 ... T1 Gb
II 1D Ex ia IIC T135°C Da
II 1/2D Ex ia IIC T135 °C Da/Db
II 2D Ex ia IIC T135°C Db

IECEX
Ex ia IIC T4 ... T1 Ga
Ex ia IIC T4 ... T1 Ga/Gb
Ex ia IIC T4 ... T1 Gb
Ex ia IIC T135°C Da
Ex ia IIC T135 °C Da/Db
Ex ia IIC T4 ... T1 Gb

2.6 Condiciones especiales de uso (X-Conditions)

- El rango de temperatura ambiente depende de la clase de temperatura.
- La pared divisoria (membrana) de separación con la zona en contacto con el medio tiene un grosor de pared < 0,2 mm [0,008 in] por razones de funcionamiento. En la aplicación debe garantizarse que no se produzcan daños en la membrana, por ejemplo, por medios agresivos o peligros mecánicos.
- En zonas potencialmente explosivas Ex, el instrumento se debe instalar de tal forma que queden excluidas cargas electrostáticas y procesos de descarga.
- En zonas potencialmente explosivas Ex con polvos conductores del grupo IIIC, el circuito de seguridad intrínseca no está separado de forma segura de tierra / partes metálicas conectadas a tierra. A lo largo del circuito de seguridad intrínseca, debe haber una conexión equipotencial.

2.7 Nota sobre seguridad intrínseca



¡PELIGRO!

Peligro de muerte debido a la pérdida de la protección contra explosiones

Observe además el marcaje Ex de la unidad de radio conectada.

- Utilizar únicamente la unidad de radio certificada.

No se requiere una prueba separada de seguridad intrínseca si los instrumentos están conectados a la unidad de radio. La unidad de radio tiene una interfaz de seguridad intrínseca que garantiza la transmisión segura de los datos medidos.

Sólo la unidad de radio NETRIS® 3 certificada está homologada para la conexión al transmisor de presión modelo PEU-2x. No se puede utilizar ninguna otra unidad de radio para un montaje.

- Para una descripción detallada del instrumento certificado accionado por batería, véase el manual de instrucciones del modelo NETRIS®3, artículo 14521664.

2. Seguridad

2.8 Cumplimiento de la conformidad EHEDG

Para una conexión conforme a EHEDG deben utilizarse juntas de acuerdo con el documento de la política vigente de EHEDG. Las juntas para conexiones conforme a DIN 32676 y BS 4825 parte 3 son fabricadas p. ej., por la empresa Combifit International B.V.

Los dos diseños de carcasa posibles cumplen los criterios de las homologaciones EHEDG y están homologados para la industria higiénica de acuerdo con la norma correspondiente.

La conformidad sólo se da para las versiones certificadas marcadas con el logotipo EHEDG en la hoja técnica. Los transmisores de presión conformes a EHEDG con conexión a proceso enrasada están marcados como modelo PEU-21 en la placa de identificación.

→ Para más información, véase la hoja técnica PE 87.24.

2.9 Descripción de seguridad de la fuente de alimentació

El conector M12 de la unidad de radio sólo puede enchufarse y desenchufarse estando desconectado de la tensión.

Tipo de protección según EN 60529 (declarado por el fabricante)	IP66/67
Humedad	50 .. 70 % de humedad relativa (sin condensación)
Grado de la contaminación	4
Categoría de sobretensión	I
Altitud para el funcionamiento	2.000 m [6,562 ft] m s. n. m. N.

ES

3. Transporte, embalaje y almacenamiento

3.1 Transporte



¡CUIDADO!

Daños debidos a un transporte inadecuado

En caso de transporte inadecuado pueden producirse daños materiales.

- ▶ Al descargar los paquetes durante la entrega o el transporte interno dentro de la compañía, proceda con cuidado y respete los símbolos en el embalaje.
- ▶ Para el transporte dentro de la compañía, observe las instrucciones en 3.2 "Embalaje y almacenamiento".
- ▶ Una vez montado el instrumento, no transportar sujetándolo por la unidad de radio.

Comprobar si el instrumento presenta algún daño.

En caso de daños, no ponga en servicio el instrumento y póngase inmediatamente en contacto con el fabricante.

Si se transporta el instrumento de un ambiente frío a uno cálido, la formación de condensación puede provocar un error de funcionamiento en el mismo. Antes de la nueva puesta en servicio, espere a que se igualen la temperatura del instrumento y la temperatura ambiente.

3.2 Embalaje y almacenamiento

No retirar el embalaje y otros elementos de protección (p. ej. tapa protectora) hasta justo antes del montaje.

Guardar el embalaje ya que es la protección ideal durante el transporte (por ejemplo si se cambia de lugar o si se envía el instrumento para posibles reparaciones).

Condiciones admisibles en el lugar de almacenamiento:

- Temperatura de almacenamiento: -40 ... +80 °C [-40 ... +176 °F]
- Humedad: 45 ... 75 % de humedad relativa (sin rocío)

Evitar la exposición a los siguientes factores:

- Luz solar directa o proximidad a objetos calientes
- Vibración mecánica, impacto mecánico (colocación brusca)
- Hollín, vapor y gases corrosivos

3. Transporte, embalaje y almacenamiento

Almacenar el instrumento en su embalaje original en un lugar que cumpla las condiciones mencionadas anteriormente. Los instrumentos que ya han sido puestos en servicio deben limpiarse antes de su almacenamiento, véase 7.2 "Limpieza". Si no se dispone del embalaje original, empaquetar y almacenar el instrumento como sigue:

1. Envolver el instrumento en un film de plástico antiestático. (para instrumentos con componentes eléctricos)
2. Colocar el instrumento en el embalaje y rellenar uniformemente con el material aislante amortiguador.
3. Para un almacenamiento prolongado (más de 30 días) meter una bolsa con un secante en el embalaje.



Almacenamiento provisional tras el montaje

Para proteger la batería cuando se almacena una unidad de radio ya activada durante un periodo de tiempo prolongado, la unidad de radio puede desactivarse de nuevo.

ES

4. Diseño y función

4.1 Resumen



- ① Conexión para conector M12x1 NETRIS®3
- ② Junta
- ③ Caja; Placa de identificación
- ④ Conexión a proceso, área para llave
- ⑤ Conexión a proceso, rosca

4.2 Descripción

Gracias a su estructura modular, el transmisor de presión modelo PEU-2x está especificado para su funcionamiento con el modelo de unidad de radio NETRIS®3. La presión actual se deduce mediante la deformación de la membrana en el elemento sensible. Suministrando la alimentación de tensión de la batería a través del modelo de unidad de radio NETRIS®3, esta deformación de la membrana se convierte en una señal eléctrica. La salida de señal por el transmisor de presión se transmite a la unidad de radio NETRIS®3 mediante interfaz unificada de WIKA (UWI).

La unidad de radio garantiza la alimentación de corriente intrínsecamente segura para el transmisor de presión PEU-2x y garantiza la transmisión de los datos medidos basados en la tecnología LPWAN (“Low Power Wide Area Network”). Los intervalos de medición y transmisión, así como los límites de alarma, para determinados valores medidos pueden configurarse a través de la plataforma IIoT.

→ Para más detalles sobre la configuración de alarma, consulte “Documentación especial para protocolo de comunicación LoRaWAN®”, modelo PEU-2x.

4. Diseño y función

4.3 Alcance del suministro

- Instrumento
- Manual de instrucciones
- Tapa protectora de rosca
- Tapa protectora de conexión

Comparar mediante el albarán si se han entregado todas las piezas.

4.4 Identificación del producto

Hay tres formas de acceder al pasaporte de producto específico del instrumento.

- A través del código QR de la etiqueta del producto
- A través de la página de detalles del instrumento
- A través del enlace que figura aquí en el manual de instrucciones

Se puede acceder a la identificación del producto desde la página del producto o directamente desde la aplicación web correspondiente.

ES



<https://productpass.wika.com/>

Se facilita lo siguiente:

- La información más importante sobre el producto, como rango de medición, precisión, conexión a proceso, fecha de fabricación, etc.
- Certificados de calibración, certificados e informes/registros de pruebas
- Documentación, como la hoja técnica y el manual de instrucciones

Desde esta vista, la información requerida puede imprimirse directamente o también enviarse por correo electrónico.

Un enlace directo a la tienda online facilita el pedido de accesorios adicionales adecuados para el instrumento.

5. Puesta en servicio y funcionamiento

5. Puesta en servicio y funcionamiento

Personal: personal especializado

Herramientas: llave



¡PELIGRO!

Peligro de muerte por explosión

El uso en atmósferas fácilmente inflamables causa peligros de explosión que pueden causar la muerte.

- ▶ Realice los trabajos de instalación únicamente en entornos no peligrosos.



¡ADVERTENCIA!

Lesiones corporales, daños materiales y medioambientales por medios peligrosos

En caso de contacto con medios peligrosos (p. ej. oxígeno, acetileno, inflamables o tóxicos) y medios nocivos para la salud (p. ej. corrosivos, tóxicos, cancerígenos, radiactivos), existe peligro de lesiones corporales, daños materiales y medioambientales.

En caso de fallo es posible que haya medios peligrosos con temperaturas extremas o de bajo presión o que haya un vacío en el instrumento.

- ▶ En el tratamiento de estos medios se deben observar las normativas específicas además de las normativas generales.



Los materiales utilizados no resisten las temperaturas en caso de incendio exterior. Para los requisitos especiales de protección contra incendios, el operador debe tomar las medidas adecuadas.

Tras la exposición a viento o terremotos, hay que comprobar los daños del instrumento (por ejemplo, grietas, daños en las costuras de soldadura, fuga de líquido). La correcta función debe comprobarse mediante una prueba de funcionamiento.

Utilizar únicamente piezas originales, véase 9 "Datos técnicos".

Comprobar si el instrumento presenta algún daño.

En caso de daños, no ponga en servicio el instrumento y póngase inmediatamente en contacto con el fabricante.

5. Puesta en servicio y funcionamiento

5.1 Requisitos del lugar de medición

El punto de medición debe cumplir las siguientes condiciones:

- Las superficies de sellado en el instrumento y en el punto de medición deben estar siempre limpias.
- Retirar la tapa protectora y/o lámina protectora o Mylar poco antes del montaje.
- Las temperaturas ambiente y del medio admisibles se mantienen dentro de los límites de rendimiento del instrumento de medición. Tener en cuenta eventuales limitaciones del rango de temperatura ambiente debido al conector de acoplamiento hembra.

5.2 Montaje mecánico



¡PELIGRO!

Peligro de muerte por daños en la membrana

Cualquier daño a la membrana en la conexión a proceso enrasada hará que la protección contra explosiones sea nula. Pueden producirse explosiones.

- ▶ Inspeccionar visualmente el instrumento antes de utilizarlo. Un escape de líquido es un indicador de daños.
- ▶ Proteger la membrana de los impactos y el contacto con medios abrasivos.



¡CUIDADO!

Daño al dispositivo

Para evitar cualquier daño al instrumento, observe lo siguiente:

- ▶ El instrumento no debe someterse a ninguna carga mecánica (por ejemplo, uso como ayuda para escalar, soporte de objetos).
- ▶ Se debe asegurar que las conexiones roscadas y las superficies de sellado estén limpias y sin daños.
- ▶ Utilizar juntas y llaves adecuadas.
- ▶ El instrumento debe instalarse de tal modo que se excluyan cargas electrostáticas inducidas por el proceso, como por ejemplo por medios que fluyen.
- ▶ Los pines del conector no deben entrar en contacto con ninguna humedad.



El par de apriete depende de la conexión a proceso, el material y la junta.

Antes del montaje, la puesta en servicio y el funcionamiento, asegúrese de lo siguiente:

1. Inspeccionar visualmente el instrumento antes de utilizarlo. Un escape de líquido es un indicador de daños.
2. Seleccionar el instrumento adecuado en cuanto a rango de medición, versión,

5. Puesta en servicio y funcionamiento

protección contra explosiones y condiciones de medición específicas.

3. Despresurizar el depósito, la tubería o el sistema.
 4. Sellar la superficie de sellado y comprobar si hay estanqueidad.
 5. En el punto de medición, atornillar el instrumento a mano. Asegurarse de que no se crucen las roscas.
 6. Atornillar y desatornillar el instrumento únicamente aplicando la llave en las superficies previstas para ello. Nunca utilizar la caja como superficie de manipulación.
- Para obtener información sobre orificios roscados y espárragos para soldar, véase la información técnica IN 00.14 en www.wika.es.

Indicaciones de montaje de instrumentos con conexión a proceso enrasada, en combinación con EHEDG

Siga las instrucciones indicadas, especialmente en el caso de los instrumentos con certificación EHEDG.

- Asegurarse de que las condiciones descritas en el capítulo 2.8 "Cumplimiento de la conformidad EHEDG" se cumplen para los instrumentos con EHEDG.
- Montar el instrumento con mínimo espacio muerto y facilidad de limpieza.
- La posición de instalación no debe formar un punto de fuga o causar formación de sumidero.

5.3 Conexión eléctrica, salida digital

Integrar el instrumento en la conexión equipotencial de la instalación.

La conexión digital del instrumento se realiza a través de la propia interfaz UWI (interfaz unificada de WIKA) de WIKA y garantiza la transmisión de datos entre el instrumento de medición y el modelo de unidad de radio NETRIS®3.

Esta interfaz sirve como transmisión de datos intrínsecamente segura entre unidades de radio WIKA adecuadas e instrumentos de medición que utilizan la interfaz UWI.

El dispositivo sólo debe alimentarse con una fuente de alimentación certificada que proporcione un aislamiento doble o reforzado con una salida que no supere los límites de CSA/UL/EN/IEC 61010-1:2010, capítulo 6.3.1/6,3.2 y 9.4 o clase 2 según CSA 223/UL 1310.

La conexión eléctrica se lleva a cabo con un conector circular M12 x 1 (4 polos).

- Para detalles sobre los valores característicos de seguridad (Ex), véase 9 "Datos técnicos"

5.4 Unidad de radio

Toda la información necesaria para activar la unidad de radio o conectar el instrumento a la infraestructura IIoT se incluye en el manual de instrucciones de la unidad de radio.

- Para más detalles, véase el manual de instrucciones del modelo de unidad de radio NETRIS®3.

ES

6. Errores

Personal: personal especializado



¡PELIGRO!

Peligro de muerte por explosión

El uso en atmósferas fácilmente inflamables causa peligros de explosión que pueden causar la muerte.

- ▶ Realice los trabajos de localización de averías únicamente en entornos no peligrosos.



¡ADVERTENCIA!

Lesiones corporales, daños materiales y medioambientales por medios peligrosos

En caso de contacto con medios peligrosos (p. ej. oxígeno, acetileno, inflamables o tóxicos) y medios nocivos para la salud (p. ej. corrosivos, tóxicas, cancerígenas, radiactivas), existe peligro de lesiones corporales, daños materiales y medioambientales.

En caso de fallo es posible que haya medios peligrosos con temperaturas extremas o de bajo presión o que haya un vacío en el instrumento.

- ▶ En el tratamiento de estos medios se deben observar las normativas específicas además de las normativas generales.



Si no se pueden solucionar los defectos mencionados se debe poner el dispositivo inmediatamente fuera de servicio.

- ▶ Contactar el fabricante.
- ▶ En caso de devolución, observar las indicaciones del capítulo 8.2 "Devolución".



Datos de contacto ver capítulo 1 "Información general" o parte posterior del manual de instrucciones.

En caso de averías, comprobar en primer lugar la conexión mecánica y eléctrica del instrumento.

Errores	Causas	Medidas
La señal de salida no cambia cuando cambia la presión	Sobrecarga mecánica por sobrepresión	Sustituir el instrumento, consultar al fabricante si falla repetidas veces
Ninguna señal de salida	Rotura de cable	Comprobar la continuidad del cable

6. Errores

Errores	Causas	Medidas
Desviación de señal de punto cero	Se sobrepasó la sobrecarga máxima	Restablecer el punto cero y observar la seguridad de sobrecarga
	Daño en la conexión a proceso	Sustituir el instrumento
Alcance de señal se cae	Daño en la conexión a proceso	Sustituir el instrumento, consultar al fabricante si falla repetidas veces
	La junta está dañada o sucia	Si está sucia, limpiar la junta y el punto de medición. Si está dañada, reemplazar la junta.
	La junta no tiene un ajuste hermético	Retire el instrumento y séllelo correctamente
	Roscas atascadas	Montar correctamente el instrumento
	Carga mecánica del instrumento mediante tuberías de flexión que no pueden ser consideradas por el fabricante.	Excluir las fuerzas de reacción a través de las canalizaciones upstream and downstream del instrumento
Alcance de señal insuficiente	Sobrecarga mecánica por sobrepresión	Reajustar el instrumento
Span de señal oscilante	Presión del medio fuertemente ciclante	Amortiguación; asesoramiento por parte del fabricante

- Para más detalles sobre la unidad de radio, véase el manual de instrucciones del modelo de unidad de radio NETRIS®3.
- Para la sustitución del instrumento, tener en cuenta los capítulos 1 "Información general" y 5 "Puesta en servicio y funcionamiento".

7. Mantenimiento, limpieza y calibración

Personal: personal especializado



Datos de contacto ver capítulo 1 "Información general" o parte posterior del manual de instrucciones.

7.1 Mantenimiento

El instrumento no requiere mantenimiento.

Todas las reparaciones solamente las debe efectuar el fabricante.
Utilizar únicamente piezas originales, véase el capítulo 9 "Datos técnicos".

7.2 Limpieza



¡CUIDADO!

Lesiones corporales, daños materiales y del medio ambiente

Los medios residuales en el instrumento pueden suponer un riesgo para las personas, el medio ambiente y el equipo.

- ▶ Realice el proceso de limpieza de acuerdo con las instrucciones del fabricante.



¡CUIDADO!

Daños materiales causados por una limpieza inadecuada

Una limpieza inadecuada puede dañar el dispositivo.

- ▶ No utilizar productos de limpieza agresivos.
- ▶ No utilizar objetos duros o puntiagudos para limpiar.
- ▶ No utilizar trapos o esponjas que podrían restregar.

1. Antes de proceder con la limpieza hay que separar debidamente el instrumento de cualquier fuente de presión, apagarlo y desconectarlo de la red.
2. Limpiar el instrumento con un trapo húmedo.
No exponga las conexiones eléctricas a la humedad.
3. Enjuagar y limpiar el instrumento desmontado para proteger a las personas y al medio ambiente de la exposición a medios residuales.



Debido a su diseño, no es posible una limpieza al 100 % libre de residuos.

Abstenerse de los procesos de limpieza que pueden conducir a una carga electrostática y no tocar los pines del conector expuestos.

7. Mantenimiento, limpieza y calibración

Proceso de limpieza in situ (CIP)

- Comprobar la temperatura y la protección ambiental admisible para la limpieza desde el exterior ("Wash Down").
- Utilice únicamente agentes de limpieza adecuados para las juntas utilizadas.
- Los detergentes no deben ser abrasivos ni atacar corrosivamente los materiales en contacto con el medio.
- Evite choques de temperatura o cambios rápidos de temperatura. La diferencia de temperatura entre el detergente y el enjuague con agua debe ser lo más baja posible. Ejemplo negativo: limpieza a 80 °C [176 °F] y enjuague con agua fría a 4 °C [39 °F].

7.3 Calibración

Se recomienda que el instrumento sea calibrado regularmente por el fabricante, con intervalos de tiempo de aprox. 12 meses.

La calibración de los valores transmitidos digitalmente sólo es posible en combinación con el modelo de unidad de radio NETRIS®3 .

→ Para más detalles, véase el manual de instrucciones del modelo de unidad de radio NETRIS®3

ES

8. Desmontaje, devolución y eliminación de residuos

8. Desmontaje, devolución y eliminación de residuos

Personal: personal especializado

Herramientas: llave



¡ADVERTENCIA!

Lesión corporal

Al desmontar existe el peligro debido a los medios peligrosos presiones.

- ▶ Observar la información en la hoja técnica de seguridad del material para el medio correspondiente.
- ▶ Desconectar el instrumento una vez que el sistema se haya despresurizado y enfriado.
- ▶ Enjuagar o limpiar el instrumento desmontado (después del funcionamiento), para proteger a las personas y el medio ambiente contra la exposición a medios residuales.



¡ADVERTENCIA!

Riesgo de quemaduras

Peligro debido a medios muy calientes que se escapan durante el desmontaje.

- ▶ Deje que el instrumento se enfríe a temperatura ambiente antes de desmontarlo.



¡ADVERTENCIA!

Lesiones corporales, daños materiales y medioambientales por medios peligrosos

En caso de contacto con medios peligrosos (p. ej. oxígeno, acetileno, inflamables o tóxicos) y medios nocivos para la salud (p. ej. corrosivos, tóxicos, cancerígenos, radiactivos), existe peligro de lesiones corporales, daños materiales y medioambientales.

En caso de fallo es posible que haya medios peligrosos con temperaturas extremas o de bajo presión o que haya un vacío en el instrumento.

- ▶ En el tratamiento de estos medios se deben observar las normativas específicas además de las normativas generales.

8.1 Desmontaje

1. Aflojar el instrumento con una llave, utilizando las superficies planas de la llave.
2. Desenroscar el instrumento a mano.
3. Retirar la unidad de radio del instrumento, véase el manual de instrucciones del modelo de unidad de radio NETRIS®3.
4. Limpiar el instrumento según sea necesario, véase el capítulo 7.2 "Limpieza".



El par de apriete depende de la conexión a proceso, el material y la junta.

8. Desmontaje, devolución y eliminación de residuos



Si la conexión eléctrica está desconectada, no permita que la conexión eléctrica entre en contacto con la humedad.

Proteger la conexión eléctrica de la descarga electrostática.

Si se desconecta una unidad de radio activada del instrumento, se transmite un mensaje de error. La unidad de radio debe desactivarse previamente.

8.2 Devolución

Es imprescindible observar lo siguiente para el envío del instrumento:

- Todos los instrumentos enviados a WIKA deben estar libres de sustancias peligrosas (ácidos, lejías, soluciones, etc.) y, por lo tanto, deben limpiarse antes de devolverlos, véase el capítulo 7.2 "Limpieza".
- Utilizar el embalaje original o un embalaje adecuado para la devolución del instrumento.



En caso de sustancias peligrosas adjuntar la ficha de datos de seguridad correspondiente al medio.

ES

Para evitar daños:

1. Envolver el instrumento en un film de plástico antiestático.
2. Colocar el instrumento en el embalaje y rellenar uniformemente con el material aislante amortiguador.
3. Si es posible, adjuntar una bolsa con secante.
4. Etiquetar conforme se trata del envío de un instrumento de medición altamente sensible.



Encontrará información sobre devoluciones en el apartado "Servicio" de nuestro sitio web local (formulario de devolución de productos).

Al devolver el instrumento con la unidad de radio conectada, observar también las instrucciones del manual de instrucciones del modelo de unidad de radio NETRIS®3.

8.3 Eliminación de residuos

Una eliminación incorrecta puede provocar peligros para el medio ambiente.

Eliminar los componentes de los instrumentos y los materiales de embalaje de forma respetuosa con el medio ambiente y conforme a los reglamentos relativos al tratamiento de residuos y eliminación vigentes en el país de utilización.



Este instrumento está etiquetado de acuerdo con la directiva de la UE sobre residuos de equipos eléctricos y electrónicos (RAEE). Este instrumento no debe desecharse junto con la basura doméstica.

- Garantizar una eliminación adecuada de acuerdo con la normativa nacional y respetar la normativa vigente.

9. Datos técnicos

9. Datos técnicos

9.1 Datos técnicos

Datos de exactitud	
Exactitud	<ul style="list-style-type: none">■ 0,5 % del span■ 0,25 % del span (≤ 1.000 bar [15.000 psi])■ 0,1 % del span (≤ 1.000 bar [15.000 psi]) → 0,1 % del span a $< 1,6$ bar [23 psi], relativo y bar abs. no posible
Ajuste del punto cero	-20 ... +95 % (limitado por 0 bar absoluto)
No repetibilidad según IEC 62828-2	
Rangos de medición ≤ 1.000 bar [15.000 psi]	$\leq 0,1$ % del span
Rangos de medición > 1.000 bar [15.000 psi]	$\leq 0,5$ % del span
Error total probable según la norma IEC 62828-2	Rango de temperatura nominal según DIN 16086: -40 ... +80 °C [-104 ... +176 °F]
	Rango de temperatura ambiente cuyos límites de especificación no deben superarse.
Estabilidad a largo plazo según IEC 62828-1	
Rangos de medición < 1 bar [15 psi]	Máx. 0,35 % del span/año
Rangos de medición ≥ 1 ... $< 1,6$ bar [≥ 15 ... < 20 psi]	Máx. 0,15 % del span/año
Rangos de medición $\geq 1,6$... ≤ 40 bar [≥ 20 ... ≤ 500 psi]	Máx. 0,10 % del span/año
Rangos de medición > 40 bar [> 500 psi]	Máx. 0,05 % del span/año
Condiciones de referencia	Según IEC 62828-1

ES

9. Datos técnicos

Rangos de medición, presión relativa¹⁾

bar	
0 ... 1	0 ... 60
0 ... 1,6	0 ... 100
0 ... 2,5	0 ... 160
0 ... 4	0 ... 250
0 ... 6	0 ... 400
0 ... 10	0 ... 600
0 ... 16	0 ... 1000
0 ... 25	0 ... 1600
0 ... 40	-
psi	
0 ... 15	0 ... 5.000
0 ... 30	0 ... 10.000
0 ... 100	0 ... 15.000
0 ... 500	0 ... 20.000
0 ... 1.500	-

Rangos de medición, presión absoluta

bar abs.	
0 ... 1	0 ... 10
0 ... 1,6	0 ... 16
0 ... 2,5	0 ... 25
0 ... 4	0 ... 40
0 ... 6	-
psi abs.	
0 ... 15	0 ... 150
0 ... 20	0 ... 200
0 ... 30	0 ... 300
0 ... 50	0 ... 500
0 ... 100	-
psi	
-14,5 ... +0	-14,5 ... +300
-14,5 ... +15	-

ES

1) Para rangos de medición > 600 bar [10.000 psi] sólo está disponible el modelo PEU-20

Rangos de medición de vacío y compuesto

bar	
-0,2 ... +0,2	-1 ... +5
-1 ... 0	-1 ... +10
-1 ... +0,6	-1 ... +15
-1 ... +1,5	-1 ... +25
-1 ... +3	-1 ... +40

Otros rangos de medición a petición.

Más detalles sobre: rango de medición

Unidades	<ul style="list-style-type: none"> ■ bar ■ psi ■ bar abs. ■ psi abs.
Presión máxima de trabajo	→ Corresponde al valor superior del rango de medida/valor final de escala del rango de medida

9. Datos técnicos

Más detalles sobre: rango de medición

Límite de presión de sobrecarga	El límite de sobrepresión está basado en el rango de medición. Dependiendo de la conexión a proceso escogida y de la junta, pueden producirse restricciones en el límite de sobrepresión. El uso del instrumento en el rango entre el valor superior del rango de medición / valor final de escala del rango de medición y el límite de sobrepresión no se considera un funcionamiento normal y sólo es admisible por un corto tiempo. → La certificación CSA a C22.2 n.º 61010-1 / UL 61010-1 sólo evalúa la presión nominal marcada en el dispositivo de acuerdo con la lista de certificación. El límite de sobrepresión definido para aplicaciones de corta duración queda excluido del alcance de la certificación.
Rangos de medición ≤ 40 bar [500 psi]	3 veces
Rangos de medición 40 ... 1.000 bar [500 ... 15.000 psi]	2 veces
Rango de medición 1.600 bar [20.000 psi]	1,5 veces
Resistencia al vacío	Sí (no para aplicaciones con oxígeno)

Conexión a proceso

Según norma	Tamaño de rosca	Posibles rangos de medición
Modelo PEU-20		
EN 837	G 3/8 B	≤ 0 ... 1.000 bar [0 ... 15.000 psi]
	G 1/2 B	≤ 0 ... 1.000 bar [0 ... 15.000 psi]
	M20 x 1,5	≤ 0 ... 1.000 bar [0 ... 15.000 psi]
ANSI / ASME B1.20.1	1/2 NPT	≤ 0 ... 1.000 bar [0 ... 15.000 psi]
	1/2 NPT, 1/4 NPT rosca hembra	≤ 0 ... 1.000 bar [0 ... 15.000 psi]
	1/4 NPT	≤ 0 ... 1.000 bar [0 ... 15.000 psi]
-	Rosca hembra M16 x 1,5 con cono obturador	≥ 0 ... 100 bar [0 ... 1.500 psi]
	Rosca hembra M20 x 1,5 con cono obturador	≥ 0 ... 1.600 bar [0 ... 20.000 psi]
	9/16-18 UNF rosca hembra F250-C	≥ 0 ... 100 bar [0 ... 1.500 psi]

14602071.03 08/2025 EN/DE/FR/ES

9. Datos técnicos

Conexión a proceso		
Según norma	Tamaño de rosca	Posibles rangos de medición
Modelo PEU-21		
-	G ½ B	0 ... 6 a 0 ... 600 bar [0 ... 100 a 0 ... 5.000 psi]
	G 1 B	≤ 0 ... 1,6 bar [0 ... 30 psi]
	G 1 ½ B	≤ 0 ... 1,6 bar [0 ... 30 psi]
	G 1 Higiénica ^{1) 2)}	≤ 0 ... 16 bar [0 ... 100 psi]
	G 1 higiénica con elemento refrigerador ²⁾	≤ 0 ... 16 bar [0 ... 100 psi]
TRI-CLAMP®	DN 1½ con elemento refrigerador para 150 °C [302 °F]	≤ 0 ... 40 bar [0 ... 500 psi]
	DN 2 con elemento refrigerador para 150 °C [302 °F]	≤ 0 ... 40 bar [0 ... 500 psi]
Clamp DIN 32676	DN 40 con elemento refrigerador para 150 °C [302 °F]	≤ 0 ... 40 bar [0 ... 500 psi]
	DN 50 con elemento refrigerador para 150 °C [302 °F]	≤ 0 ... 40 bar [0 ... 500 psi]
Tuerca loca ranurada DIN 11851 con ajuste cónico	DN 25 con elemento refrigerador para 150 °C [302 °F]	≤ 0 ... 40 bar [0 ... 500 psi]
	DN 40 con elemento refrigerador para 150 °C [302 °F]	≤ 0 ... 25 bar [0 ... 500 psi]
	DN 50 con elemento refrigerador para 150 °C [302 °F]	≤ 0 ... 25 bar [0 ... 500 psi]
NEUMO BioConnect®	DN 40 forma V con elemento refrigerador para 150 °C [302 °F]	≤ 0 ... 16 bar [0 ... 500 psi]
VARINLINE®	Forma N con elemento de refrigeración para 150 °C [302 °F], DN 40 ... 50	≤ 0 ... 16 bar [0 ... 500 psi]
	Forma F con elemento de refrigeración para 150 °C [302 °F], DN 25	≤ 0 ... 16 bar [0 ... 500 psi]

14602071.03 08/2025 EN/DE/FR/ES

ES

- 1) También disponible en versión de alta temperatura hasta 150 °C [302 °F] con junta EPDM o FKM ampliada.
 2) Modelo de sistema de adaptador WIKA compatible 910.61; véase la hoja técnica AC 09.20

9. Datos técnicos

Los detalles deben examinarse por separado en la aplicación respectiva. Los valores proporcionados para el límite de sobrepresión máx. nominal sirven solo para orientación general. Los valores dependen de la temperatura, la junta utilizada, el par de torsión seleccionado, el tipo y material de la rosca de acoplamiento y las condiciones de funcionamiento imperantes.

BioConnect® es una marca registrada de la empresa NEUMO.
VARINLINE® es una marca registrada de la empresa Tuchenhagen. GmbH.

Puerto digital

Tipo de señal	interfaz unificada de WIKA (UWI)
Resolución de la señal digital	< 0,01 % del span de medición
Tipo de conexión	Conexión de enchufe para el conector NETRIS®3 M12

Material

Materiales (en contacto con el medio)

PEU-20

≤ 40 bar [500 psi]	Todas las conexiones a proceso	Acero inoxidable 1.4404 / 316L Sensor: acero inoxidable 1.4404 / 316L
> 40 bar [500 psi]	Todas las conexiones a proceso	Conexión a proceso: acero inoxidable 1.4404 / 316L Sensor: Elgiloy® 2.4711
> 1.000 bar [15.000 psi]	Todas las conexiones a proceso	Conexión a proceso: acero inoxidable 1.4534 / 904L Sensor: acero inoxidable 1.4534 / 904L

PEU-21

Todos los rangos de medición	Todas las conexiones a proceso	Conexión a proceso: acero inoxidable 1.4435 / 316L Membrana: acero inoxidable 1.4435 / 316L
	<ul style="list-style-type: none"> ■ G ½ ■ G 1 	Conexión a proceso: Hastelloy® HC276 / 2.4819 Membrana: Hastelloy HC276 / 2.4819
	<ul style="list-style-type: none"> ■ G ½ ■ G 1 	Conexión a proceso: recubrimiento de oro Membrana: recubrimiento de oro ¹⁾

9. Datos técnicos

Material		
Junta	<ul style="list-style-type: none"> ■ NBR ■ EPDM ■ FKM 	
	→ Para roscas PEU-21 G hasta máx. +105 °C [221 °F]	
Rugosidad de la superficie con conexiones higiénicas	<ul style="list-style-type: none"> ■ Superficie sin pulir $R_a \leq 0,5 \mu\text{m}$ ■ Superficie pulida $R_a \leq 0,38 \mu\text{m}$ 	
Líquido de llenado del sistema		
PEU-20	Rango de medición ≤ 40 bar [500 psi]	Aceite sintético (aceite de halocarbono para aplicaciones de oxígeno)
	Rango de medición > 40 bar [500 psi]	Célula de medición seca
PEU-21	Todos los rangos de medición	<ul style="list-style-type: none"> ■ Aceite sintético (aceite de halocarbono para aplicaciones de oxígeno) ■ NEOBEE M-20 FDA (código 1490451)

1) Exactitud del 0,1 % no disponible para los sensores con recubrimiento de oro.

Todas las conexiones son compatibles con NACE (MR0103 y MR0175). Sin NACE con rangos de medición > 1.000 bar [15.000 psi], véase la tabla "Conexión a proceso".

Versión para medios especiales		
Alimentación	Líquido de llenado del sistema compatible con alimentos y homologado por la FDA	
Libre de aceite y grasa	Según G93:2019 nivel D (< 220 mg/m ²)	
Libre de oxígeno, aceite y grasa	<ul style="list-style-type: none"> ■ Según G93:2019 nivel D (< 220 mg/m²) ■ Partícula $< 1.000 \mu\text{m}$ 	
Hidrógeno	Rangos de medición	≥ 100 bar [1.450 psi]
	Material (en contacto con el medio)	316L y Elgiloy (2.4711)
	Con la medición de hidrógeno, se debería utilizar preferentemente una membrana con recubrimiento de oro. Si por razones técnicas esto no es posible, debe esperarse una mayor deriva a largo plazo. No se permite el uso con presiones ≥ 1.000 bar [≥ 14.500 psi].	

9. Datos técnicos




Condiciones de uso		
Límite de temperatura del medio	→ Véase la tabla "Características en materia de seguridad (Ex)"	
	Aplicación con oxígeno	-20 ... +60 °C [-4 ... +140 °F]
	Aplicación con hidrógeno	Máx. 30 °C [86 °F]
Límite de temperatura del medio según el material de la junta (sólo para el modelo PEU-21)		
NBR	-20 ... +105 °C [-4 ... +221 °F]	
FKM	-20 ... +105 °C [-4 ... +221 °F]	
FKM	-20 ... +150 °C [-4 ... +302 °F] ²⁾	
EPDM	-40 ... +105 °C [-40 ... +221 °F]	
EPDM	-40 ... +150 °C [-40 ... +302 °F] ²⁾	
Límite de temperatura ambiente	-40 ... +80 °C [-40 ... +176 °F] ¹⁾	
Límite de temperatura de almacenamiento	-40 ... +80 °C [-40 ... +176 °F]	
Humedad según IEC 62828-1	50 ... 70 % de humedad relativa (sin condensación)	
Clasificación de cierre según CSA C22.2 No 94.2 y UL50E	Tipo 4	
Tipo de protección según IEC 60529 (declarado por el fabricante)	IP66/67 La protección contra la penetración sólo se aplica con una conexión de enchufe correcta con el modelo NETRIS®3	
Grado de contaminación	4	
Categoría de sobretensión	I	
Altitud para el funcionamiento	2.000 [6,562 ft] sobre el nivel del mar	
Resistencia a la vibración según DNVGL-CG-0339		
Para instrumentos sin elemento de refrigeración	4g (5 ... 100 Hz)	
Para instrumentos con elemento de refrigeración	0,7g (5...100 Hz)	
Resistencia a choques según IEC 60068-2-27		
Para instrumentos sin elemento de refrigeración	100g [6 ms]	
Para instrumentos sin elemento de refrigeración	50g [6 ms]	

9. Datos técnicos

Condiciones de uso	
Para instrumentos con un rango de medición de 1.000 bar [15.000 psi]	20g [6 ms]
Posición de montaje	Vertical, la membrana mirando hacia abajo

- Instrumento con conector angular o circular: -30 ... +80 °C [-22 ... +176 °F]
- Conexión a proceso con elemento refrigerador

9.2 Homologaciones

Logo	Descripción	Región	
	Declaración de conformidad UE Directiva ATEX Zonas potencialmente explosivas - Ex i Zona 0, gas II 1G Ex ia IIC T4 ... T1 Ga - Ex i Montaje de zona 1 a gas de zona 0 II 1/2G Ex ia IIC T4 ... T1 Ga/Gb - Ex i Zona 1, gas II 2G Ex ia IIC T4 ... T1 Gb - Ex i Zona 20 polvo II 1D Ex ia IIC T135°C Da - Ex i Montaje de zona 21 a zona 20 polvo II 1/2D Ex ia IIC T135 °C Da/Db - Ex i Zona 21 polvo II 2D Ex ia IIC T135°C Db Directiva CEM EN 61326 Emisión (grupo 1, clase A) y resistencia a interferencias (ámbito industrial) Directiva sobre equipos a presión (accesorio a presión, módulo A) Directiva RoHS	Unión Europea	
	 IECEx Zonas potencialmente explosivas - Ex i Zona 0, gas Ex ia IIC T4 ... T1 Ga - Ex i Montaje de zona 1 a gas de zona 0 Ex ia IIC T4 ... T1 Ga/Gb - Ex i Zona 1, gas Ex ia IIC T4 ... T1 Gb - Ex i Zona 20 polvo Ex ia IIC T135°C Da - Ex i Montaje de zona 21 a zona 20 polvo Ex ia IIC T135 °C Da/Db - Ex i Zona 21 polvo Ex ia IIC T135°C Db		Internacional
	 EHEDG Diseño higiénico de equipamiento (sólo para PEU-21)		

14602071.03 08/2025 EN/DE/FR/ES

ES

9. Datos técnicos

Declaración del fabricante

Logo	Descripción
-	Declaración del fabricante acerca del reglamento de la UE 1935/2004 CE
-	Declaración del fabricante GB 4806.1-2016 Norma nacional china de seguridad alimentaria - Buenas prácticas de fabricación GB 31603-2015 (GMP)

Certificados

Descripción	
Certificados	<ul style="list-style-type: none">■ Sin■ 2.2 Certificado de prueba conforme a EN 10204 (p. ej. fabricación conforme al estado actual de la técnica, certificado de material, precisión de las mediciones)■ 3.1 - Certificado de inspección conforme a EN 10204 (p. ej. certificado de material para partes metálicas en contacto con el medio)
Calibración	<ul style="list-style-type: none">■ Sin■ 3.1 certificado de inspección según DIN EN 10204 (calibración en fábrica)■ Certificado de calibración DAkkS (trazable y acreditado según la norma ISO/IEC 17025)
Intervalo de calibración recomendado	1 año (en función de las condiciones de uso)

→ Para homologaciones y certificaciones, véase el sitio web

Características en materia de seguridad (Ex)

Características en materia de seguridad (Ex)	
Parámetros eléctricos de la alimentación de corriente de seguridad intrínseca	
Tensión máx. de entrada U_i	DC 6,7 V
Tensión máx. de entrada para aplicaciones de gas I_i	250 mA
Potencia máx. de entrada P_i	300 mW
Capacidad interna efectiva C_i	4,4 nF
Inductividad interna efectiva L_i	Despreciable
Tensión máx. de salida U_o ¹⁾	DC 6,7 V
Corriente máx. de salida I_o ¹⁾	400 mA

14602071.03 08/2025 EN/DE/FR/ES

9. Datos técnicos

Características en materia de seguridad (Ex)

Rango de temperatura	→ Aplicable a las clases de temperatura T4 ... T1 y temperatura superficial máxima T135 para polvo atmósfera Ex
Temperatura ambiente	-40 ... +80 °C [-40 ... +176 °F]
Temperatura del medio ²⁾	-40 ... +80 °C [-40 ... +176 °F] → Para temperaturas del medio elevadas, véase la tabla "Características en materia de seguridad (Ex)"

1) Corto plazo debido a la descarga del condensador, constante de tiempo $5 \times T < 25$ ms

2) Las temperaturas del medio dependen de la conexión a proceso, de la junta y de las características para la protección contra explosiones. Las temperaturas del medio por encima de 80 °C sólo son posibles con conexiones a proceso enrasadas.

El modelo PEU-2x está previsto para su uso con el modelo de radio NETRIS[®]3, de seguridad intrínseca y accionado por batería con tipo de protección "ia".

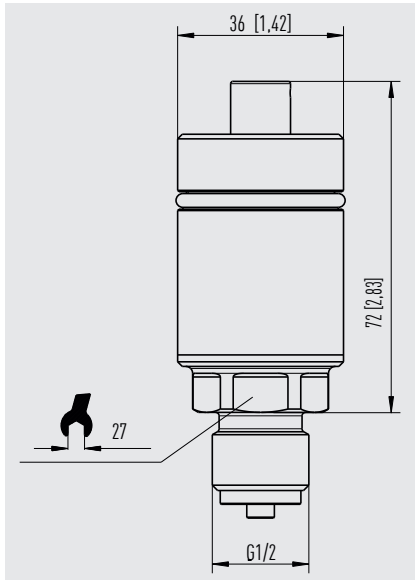
Otras especificaciones sobre: Valores característicos de seguridad (Ex)

Clase de temperatura	Temperatura del medio máx.	Temperatura ambiente
Sin elemento de refrigeración		
T4	120 °C [248 °F]	$-40 \leq T_a \leq +30$ °C [$-40 \leq T_a \leq +86$ °F]
T4	105 °C [221 °F]	$-40 \leq T_a \leq +40$ °C [$-40 \leq T_a \leq +104$ °F]
T4	85 °C [185 °F]	$-40 \leq T_a \leq +80$ °C [$-40 \leq T_a \leq +176$ °F]
Sin elemento de refrigeración		
T3	150 °C [302 °F]	$-40 \leq T_a \leq +40$ °C [$-40 \leq T_a \leq +104$ °F]
T4	120 °C [248 °F]	$-40 \leq T_a \leq +50$ °C [$-40 \leq T_a \leq +122$ °F]
T4	105 °C [221 °F]	$-40 \leq T_a \leq +50$ °C [$-40 \leq T_a \leq +122$ °F]
T4	85 °C [185 °F]	$-40 \leq T_a \leq +80$ °C [$-40 \leq T_a \leq +176$ °F]

ES

9. Datos técnicos

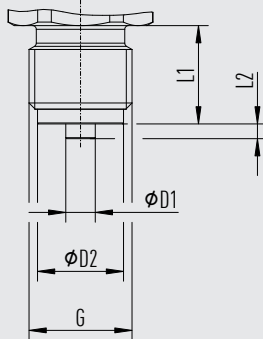
9.3 Dimensiones en mm [in]



ES

Conexiones a proceso para el modelo PEU-20

EN 837

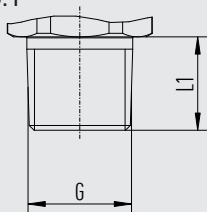


G	L1	L2	D1	D2
G 3/8 B	16 [0,63]	3 [0,12]	5,5 [0,22]	13 [0,512]
G 1/2 B	20 [0,79]	3 [0,12]	6 [0,24]	17,5 [0,689]
M20 x 1,5	20 [0,79]	3 [0,12]	6 [0,24]	17,5 [0,689]

14602071.03 08/2025 EN/DE/FR/ES

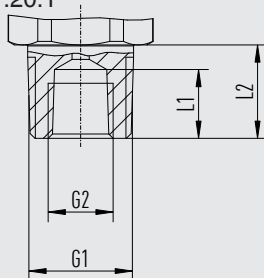
9. Datos técnicos

ANSI/ASME B1.20.1



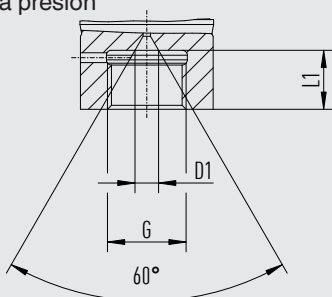
G	L1
¼ NPT	13 [0,51]
½ NPT	19 [0,75]

ANSI/ASME B1.20.1



G1	G2	L1	L2
1/2 NPT, macho	1/4 NPT, hembra	14 [0,55]	19 [0,75]

Conexión de alta presión



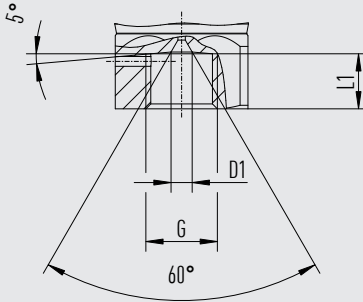
G	L1	D1
M16 x 1,5 rosca hembra	12 [0,47]	4,8 [0,19]
M20 x 1,5 rosca hembra	15 [0,59]	4,8 [0,19]

1-4602071.03 08/2025 EN/DE/FR/ES

ES

9. Datos técnicos

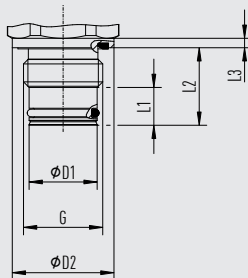
Conexión de alta presión



G	L1	D1
9/16-18 UNF hembra F 250-C	11,2 [0,44]	4,3 [0,17]

ES

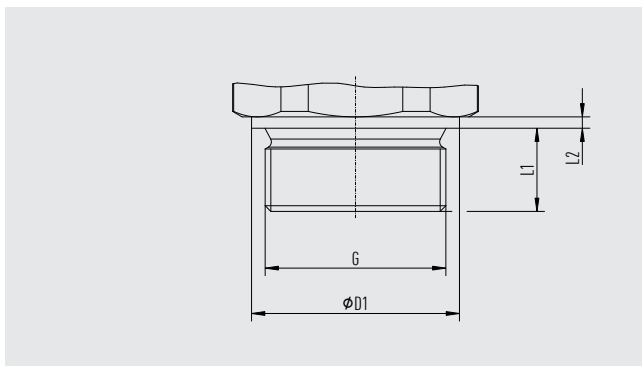
Conexiones a proceso para el modelo PEU-21



G	L1	L2	L3	D1	D2
G ½ B	10 [0,39]	20,5 [0,807]	3 [0,12]	18 [0,71]	26,9 [1,059]
G 1 B	9 [0,35]	25 [0,98]	2,5 [0,098]	30 [1,18]	40 [1,595]

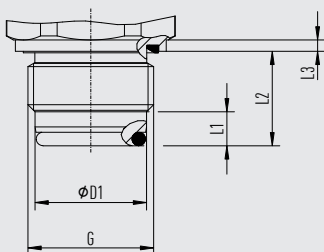
14602071.03 08/2025 EN/DE/FR/ES

9. Datos técnicos



G	L1	L2	D1
G 1 ½ B	22 [0,87]	3 [0,12]	55 [2,17]

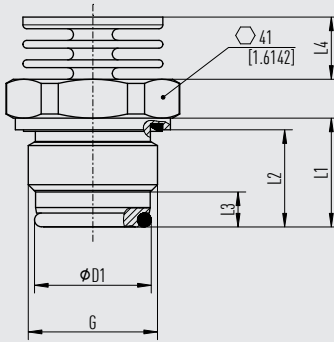
Higiénico



G	L1	L2	L3	D1
G 1	9 [0,35]	25 [0,98]	3 [0,12]	29,5 [1,16]

9. Datos técnicos

Higiénico

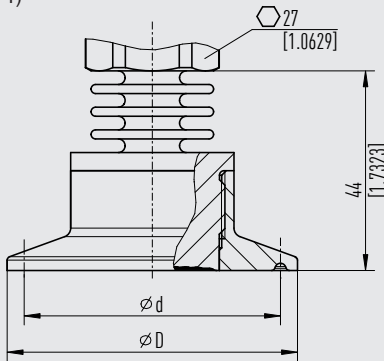


G	L1	L2	L3	L4	D1
G 1	28 [1,10]	25 [0,98]	9 [0,35]	15,5 [0,61]	29,5 [1,161]

ES

Conexiones higiénicas para la industria alimentaria, farmacéutica y aplicaciones sanitarias

Conexión clamp DIN 32676
TRI-CLAMP® 1)



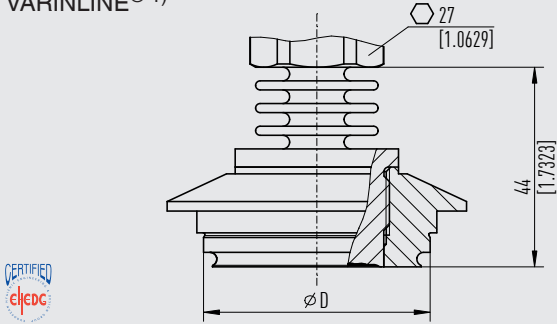
14656663

DN	ØD	Ød
DN 1 ½	50,5 [1,99]	43,5 [1,71]
DN 2	64 [2,52]	56,6 [2,23]
DN 40	50,5 [1,99]	43,5 [1,71]
DN 50	64 [2,52]	56,6 [2,23]

1) Conexiones a proceso según ASME BPE

9. Datos técnicos

VARINLINE® 1)

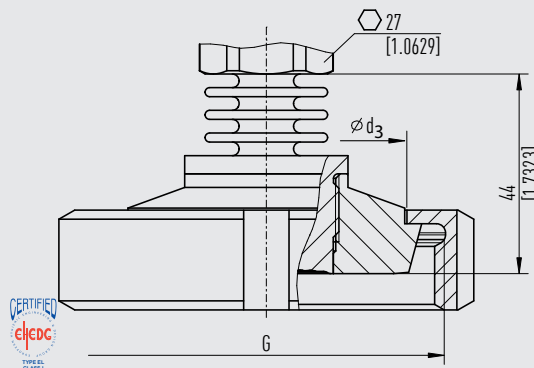


14656671

Forma	ØD
Forma F	50 [1,97]
Forma N	68 [2,68]

ES

Tuerca loca ranurada DIN 11851
con ajuste cónico para tubos según DIN 11850

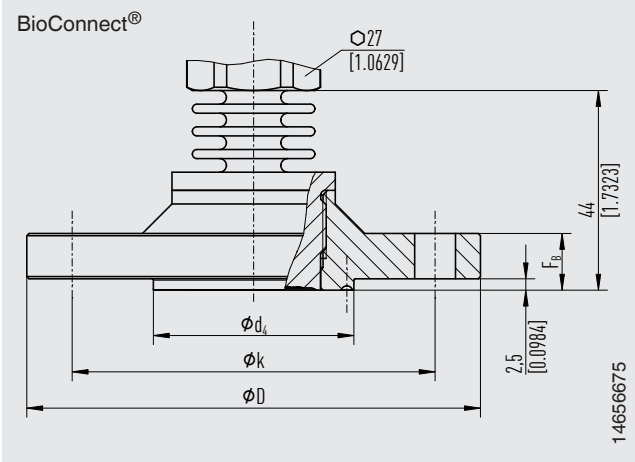


14656667

DN	G	Ød ₃
DN 25	Rd 52 x 1/6	35 [1,37]
DN 40	Rd 65 x 1/6	44 [1,73]
DN 50	Rd 78 x 1/6	61 [2,40]



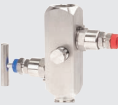
14602071.03 08/2025 EN/DE/FR/ES

10. Accesorios y piezas de recambio



DN	$\varnothing d_4$	$\varnothing D$	$\varnothing k$	F_B
DN 40	44,2 [1,74]	100 [3,94]	80 [3,15]	10 [0,39]

10. Accesorios y piezas de recambio

Modelo	Descripción	Código
	NETRIS®3 Unidad de radio con LoRaWAN® para instrumentos de medición WIKA Para aplicaciones en zonas potencialmente explosivas → véase hoja técnica AC 40.03	-
	Manguito para soldar con conexión G 1 ½ membrana enrasada	1192299
	Manguito para soldar con conexión G 1 membrana enrasada	1192264
	Manguito para soldar con conexión G 1 ½ membrana enrasada	2158982
	Manguito para soldar con conexión higiénica G 1 membrana enrasada	14070973
	IV20, IV21 Válvula de bloqueo y purga → Véase hoja técnica AC 09.19	-

Puede encontrar más información sobre los accesorios WIKA en www.wika.es.



EU-Konformitätserklärung EU Declaration of Conformity

Dokument Nr.
Document No. 14608561

Revision
Issue 02

Wir erklären in alleiniger Verantwortung, dass die mit CE gekennzeichneten Produkte
We declare under our sole responsibility that the CE marked products

Typenbezeichnung
Type Designation PEU-20*, PEU-21*

Beschreibung
Description Drucktransmitter zum Anschluss an WIKA-Funkeinheit
Pressure Transmitter for connection to WIKA radio unit

gemäß gültigem Datenblatt
according to the valid data sheet PE 87.24

mit den nachfolgenden relevanten Harmonisierungsvorschriften der Union übereinstimmen
are in conformity with the following relevant Union harmonisation legislation

Angewandte harmonisierte Normen oder sonstige technische Spezifikationen:
Applied harmonised standards or other technical specifications:

2011/65/EU Gefährliche Stoffe (RoHS)
Hazardous substances (RoHS) EN IEC 63000:2018

2014/68/EU Druckgeräterichtlinie (DGRL) ⁽¹⁾
Pressure Equipment Directive (PED) ⁽¹⁾ -

EN 61326-1:2013
EN 61326-2-3:2013

2014/30/EU Elektromagnetische Verträglichkeit (EMV)
Electromagnetic Compatibility (EMC) Stimmt auch überein mit / also complies with
EN IEC 61326-1:2021
EN IEC 61326-2-3:2021

2014/34/EU Explosionsschutz (ATEX) ⁽²⁾
Explosion protection (ATEX) ⁽²⁾
II 1 G Ex ia IIC T6...T1 Ga
II 1/2 G Ex ia IIC T6...T1 Ga/Gb
II 2 G Ex ia IIC T6...T1 Gb
II 1 D Ex ia IIIC T1 135°C Da
II 1/2 D Ex ia IIIC T1 135°C Da/Db
II 2 D Ex ia IIIC T1 135°C Db
EN IEC 60079-0:2018
EN 60079-11:2012
IEC 60079-26:2021



- (1) PS > 200 bar; Modul A, druckhaltendes Ausrüstungsteil
PS > 200 bar; Module A, pressure accessory
- (2) EU-Baumusterprüfbescheinigung BVS 23 ATEX E 046 X von DEKRA Testing and Certification GmbH (Reg.-Nr. 0158).
EU type examination certificate BVS 23 ATEX E 046 X of DEKRA Testing and Certification GmbH (Reg. No. 0158).

Unterschiedet für und im Namen von / Signed for and on behalf of

WIKA Alexander Wiegand SE & Co. KG

Klingenberg, 2024-02-14

Matthias Kirch, Vice President
Center of Excellence, Pressure

Roland Stapf, Head of Quality Assurance
Sensors & Instruments, Corporate Quality

WIKA Alexander Wiegand SE & Co. KG
Alexander-Wiegand-Straße 30
63911 Klingenberg
Germany
VEEE-Reg.-Nr. DE 92770372
09/2022

Tel +49 9372 132-0
Fax +49 9372 132-406
E-Mail info@wika.de
www.wika.de

Kommanditgesellschaft Sitz Klingenberg –
Amtsgericht Aschaffenburg HRA 1819

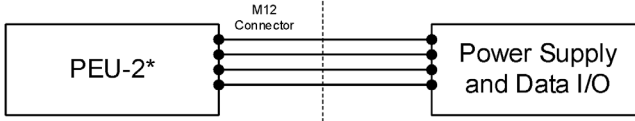
Komplementärsitz:
WIKA International SE - Sitz Klingenberg -
Amtsgericht Aschaffenburg HRB 10505
Vorstand: Alexander Wiegand
Vorsitzender des Aufsichtsrats: Prof. Dr. Roderich C. Thümmel
22AR-04308

 Alexander Wiegand SE & Co. KG	Control drawing type PEU-2*	Drawing no. 14746731.01 Page 1 of 4
---	------------------------------------	---

Hazardous (Classified) Location

Unclassified Location
 or
 Hazardous (Classified) Location

Note 1, 2, 3



Intrinsically Safe Installation

Class I, Zone 0, A/Ex ia IIC T1...T6 Ga
 Class I, Zone 1, A/Ex ia IIC T1...T6 Gb
 Zone 20, A/Ex ia IIC T135°C Da
 Zone 21, A/Ex ia IIC T135°C Db

Class I, Division 1, Groups A, B, C, D; T1...T6
 Class I, Division 2, Groups A, B, C, D; T1...T6
 Class II, Division 1, Groups E, F, G; T135°C
 Class II, Division 2, Groups E, F, G; T135°C
 Class III, Division 1, T135°C
 Class III, Division 2, T135°C

Entity Parameters


Input Voltage U_i = DC 6.7 V
 Input Current I_i = 250 mA
 Input Power P_i = 300 mW
 Int. capacity C_i = 4.4 nF
 Int. inductivity L_i = negligible

Output Voltage U_o = U_i
 (short time from capacitor discharge (time constant: $5 \cdot \tau < 25$ ms))
 Output Current I_o = 400 mA
 (short time from capacitor discharge (time constant: $5 \cdot \tau < 25$ ms))

Only for connection to certified intrinsically safe power supply.
 The instrument shall be included in the equipotential bonding / grounding of the application via the process connection.

Revision	
01	28.05.2025

	created	checked
Date	28.05.2025	
Department	SI-RD	
By	Thomas Sauer	

 Alexander Wiegand SE & Co. KG	<h2>Control drawing type PEU-2*</h2>	Drawing no. 14746731.01 Page 2 of 4
---	--------------------------------------	--

Permissible temperature range

Ambient temperature range for ambient temperature = media temperature

T1 to T4 -40 °C ... 80 °C
T135 °C for Dust -40 °C ... 80 °C

Ambient temperature range for high media temperature range

Temp. class	Maximum media temperature [°C]	Maximum ambient temperature [°C]	
		All models except PEU-2*...*4****-4****-4**** PEU-2*...*2****-2****-2**** (Models without cooling element)	Models PEU-2*...*4****-4****-4**** PEU-2*...*2****-2****-2**** (Models with cooling element)
T3	150	N / A	40
T4	120	30	50
T4	105	40	50
T4	85	80	80
T5	85	80	80
T6	70	70	70

Marking (US and Canada)

Class I, Zone 0, A/Ex ia IIC T1...T6 Ga
Class I, Zone 1, A/Ex ia IIC T1...T6 Gb
Zone 20, A/Ex ia IIC T135°C Da
Zone 21, A/Ex ia IIC T135°C Db
Class I, Division 1, Groups A, B, C, D; T1...T6
Class I, Division 2, Groups A, B, C, D; T1...T6
Class II, Division 1, Groups E, F, G; T135°C
Class II, Division 2, Groups E, F, G; T135°C
Class III, Division 1, T135°C
Class III, Division 2, T135°C

Notes:

- The Intrinsic Safety Entity concept allows the interconnection of two intrinsically safe devices with entity parameters not specifically examined in combination as a system when:

PEU-2*	≥	Power Supply and Data I/O
Ui (or Vmax)	≥	Uo
Ii (or Imax)	≥	Io
Pi (or Pmax)	≥	Po
Ci + Ccable	≤	Co
Li + Lcable	≤	Lo
Uo (or Voc)	≤	Ii (short time)
Io (or Isc)	≤	Ii (short time)
- In gas-explosive areas, the device shall be installed in such a way that electrostatic charging at the type label is excluded.
- In dust-explosive areas with conductive dust IIC, the intrinsically safe circuit is not safely separated from earth/potentially earthed metal parts. Along the intrinsically safe circuit, potential equalization must exist.

14602071.03 08/2025 EN/DE/FR/ES

Revision	
01	28.05.2025

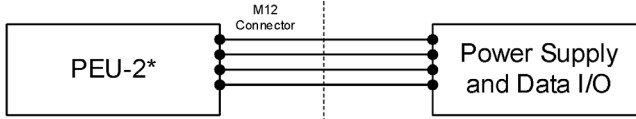
	created	checked
Date	28.05.2025	
Department	SI-RD	
By	Thomas Sauer	

 Alexander Wiegand SE & Co. KG	Control drawing type PEU-2*	Drawing no. 14746731.01 Page 3 of 4
---	------------------------------------	---

Zone (classifiée) dangereuse

Localisation non classifiée
 ou
 Zone (classifiée) dangereuse

Note 1, 2, 3



Installation à sécurité intrinsèque

Classe I, Zone 0, A/Ex ia IIC T1...T6 Ga
 Classe I, Zone 1, A/Ex ia IIC T1...T6 Gb
 Zone 20, A/Ex ia IIC T135 °C Da
 Zone 21, A/Ex ia IIC T135 °C Db

Classe I, Division 1, Groupes A, B, C, D; T1...T6
 Classe I, Division 2, Groupes A, B, C, D; T1...T6
 Classe II, Division 1, Groupes E, F, G; T135 °C
 Classe II, Division 2, Groupes E, F, G; T135 °C
 Classe III, Division 1, T135 °C
 Classe III, Division 2, T135 °C

Paramètres d'entité

Tension d'entrée U_i = 6,7 VDC
 Courant d'entrée I_i = 250 mA
 Puissance d'entrée P_i = 300 mW
 Capacité int. C_i = 4,4 nF
 Inductivité int. L_i = négligeable

Tension de sortie U_o = U_i
 (courte durée de décharge du condensateur (constante de temps: $5 \tau < 25$ ms))
 Courant de sortie I_o = 400 mA
 (courte durée de décharge du condensateur (constante de temps: $5 \tau < 25$ ms))

Uniquement pour la connexion à une alimentation électrique à sécurité intrinsèque certifiée.
 L'instrument doit être intégré dans la liaison équipotentielle / la mise à la terre de l'application via le raccord process.

Revision	
01	28.05.2025

	created	checked
Date	28.05.2025	
Department	SI-RD	
By	Thomas Sauer	

 Alexander Wiegand SE & Co. KG	<h2>Control drawing type PEU-2*</h2>	Drawing no. 14746731.01 Page 4 of 4
---	--------------------------------------	--

Plages de températures admissibles

Plage de température ambiante pour la température ambiante = température du fluide

T1 à T4 -40 °C ... 80 °C
 T135 °C pour la poussière -40 °C ... 80 °C

Plage de température ambiante pour plage de température du fluide élevée

Classe de température	Température du fluide maximale [°C]	Température ambiante maximale [°C]	
		Tous les types à l'exception de PEU-2*...-4*... PEU-2*...-2*... (types sans élément de refroidissement)	Types PEU-2*...-4*... PEU-2*...-2*... (Types avec élément de refroidissement)
T3	150	N / A	40
T4	120	30	50
T4	105	40	50
T4	85	80	80
T5	85	80	80
T6	70	70	70

Marquage (Etats-Unis et Canada)

Classe I, Zone 0, A/Ex ia IIC T1...T6 Ga
 Classe I, Zone 1, A/Ex ia IIC T1...T6 Gb
 Zone 20, A/Ex ia IIC T135 °C Da
 Zone 21, A/Ex ia IIC T135 °C Db
 Classe I, Division 1, Groupes A, B, C, D; T1...T6
 Classe I, Division 2, Groupes A, B, C, D; T1...T6
 Classe II, Division 1, Groupes E, F, G; T135 °C
 Classe II, Division 2, Groupes E, F, G; T135 °C
 Classe III, Division 1, T135 °C
 Classe III, Division 2, T135 °C

Notes:

- Le concept d'entité de sécurité intrinsèque permet l'interconnexion de deux dispositifs à sécurité intrinsèque avec des paramètres d'entité qui ne sont pas spécifiquement vérifiés en combinaison en tant que système lorsque :
PEU-2* Alimentation électrique et E/S de données

Ui (ou Vmax)	≥	Uo
Ii (ou Imax)	≥	Io
Pi (ou Pmax)	≥	Po
Ci + Ccable	≤	Co
Li + Lcable	≤	Lo
Uo (ou Voc)	≤	Ui (momentanément)
Io (or Isc)	≤	Ii (momentanément)
- Dans les zones explosives au gaz, l'appareil doit être installé de manière à exclure toute charge électrostatique au niveau de la plaque signalétique.
- Dans les zones explosives poussiéreuses avec des poussières conductrices IIIC, le circuit à sécurité intrinsèque n'est pas séparé de manière sûre des pièces métalliques mises à la terre/potentiellement mises à la terre. Une compensation de potentiel doit exister le long du circuit à sécurité intrinsèque.

14602071.03 08/2025 EN/DE/FR/ES

Revision	
01	28.05.2025

	created	checked
Date	28.05.2025	
Department	SI-RD	
By	Thomas Sauer	

BioConnect® ist eingetragenes Warenzeichen der Firma NEUMO.
VARINLINE® ist ein eingetragener Markenname der Firma GEA Tuchenhagen GmbH.



Importer for UK
WIKA Instruments Ltd
Unit 6 and 7 Goya Business park
The Moor Road
Sevenoaks
Kent
TN14 5GY



WIKA Alexander Wiegand SE & Co. KG
Alexander-Wiegand-Strasse 30
63911 Klingenberg • Germany
Tel. +49 9372 132-0
info@wika.de
www.wika.de